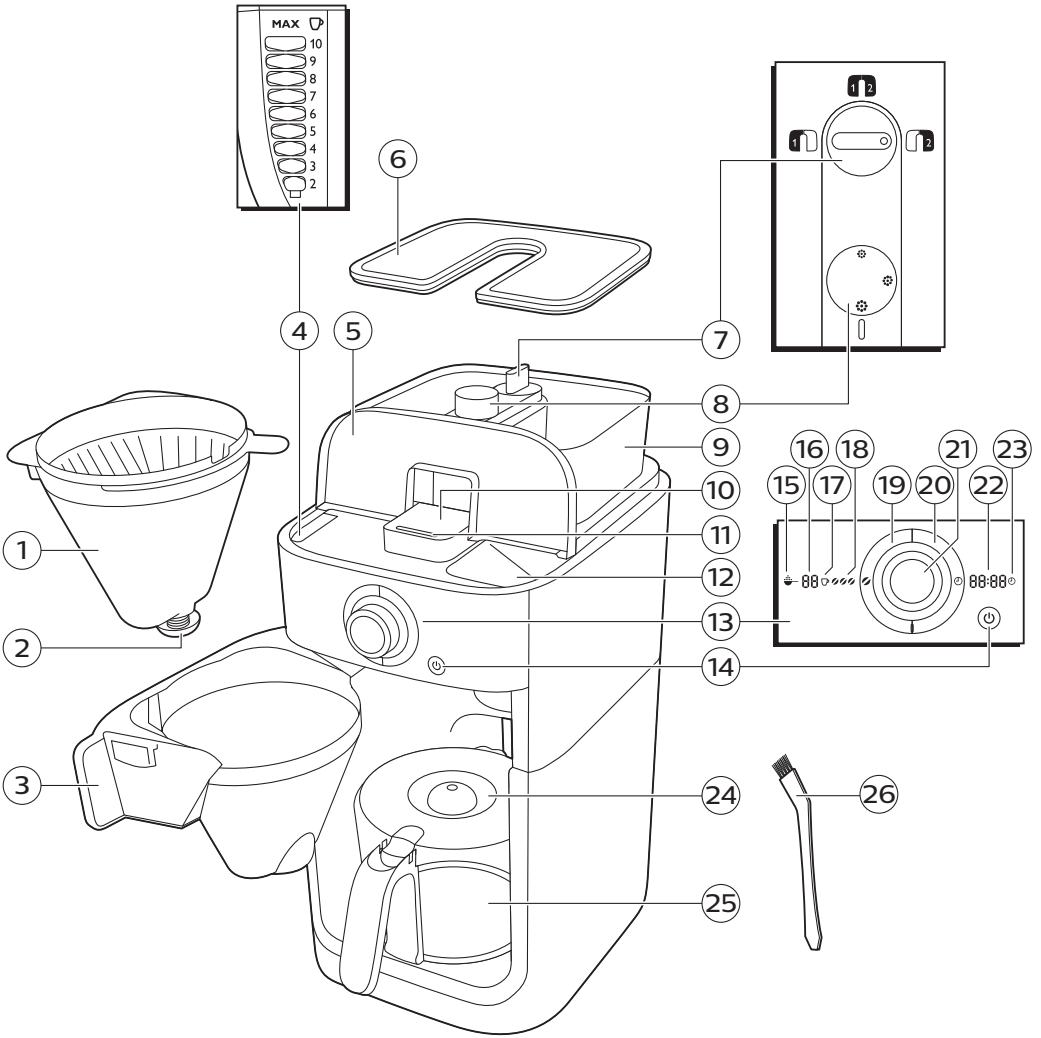


**PHILIPS**

HD7768, HD7766









English 6  
Dansk 15  
Deutsch 24  
Français 34  
Italiano 44  
Nederlands 54  
Norsk 64  
Suomi 73  
Svenska 82

## Introduction

Congratulations on your purchase and welcome to Philips! To fully benefit from the support that Philips offers, register your product at [www.philips.com/welcome](http://www.philips.com/welcome).

## General description (Fig. 1)

- 1 Filter basket
- 2 Drip stop
- 3 Filter basket holder
- 4 Water level indicator
- 5 Water reservoir lid
- 6 Bean container lid
- 7 Bean container selector
- 8 Coarseness knob
- 9 Fresh bean duo container
- 10 Grinder funnel lid
- 11 Lock of grinder funnel lid
- 12 Water filling hole
- 13 Display
- 14 On/off button
- 15 Pre-ground coffee icon
- 16 Number of cups
- 17 Coffee cup icon
- 18 Strength select coffee bean icon
- 19 Strength select button
- 20 Timer button
- 21 Control knob
- 22 Time indication
- 23 Timer icon
- 24 Glass jug lid
- 25 Glass jug
- 26 Bean chute cleaning brush

## Important

### Danger

- Never immerse the appliance in water or any other liquid, nor rinse it under the tap.

### Warning

- Check if the voltage indicated on the appliance corresponds to the local mains voltage before you connect the appliance.
- Do not use the appliance if the plug, the mains cord or the appliance itself is damaged.

- If the mains cord is damaged, you must have it replaced by Philips, a service center authorized by Philips or similarly qualified persons in order to avoid a hazard.
- Connect the appliance to an earthed wall socket.
- This appliance can be used by children aged from 8 years and above and by persons with reduced physical, sensory or mental capabilities or lack of experience and knowledge if they have been given supervision or instruction concerning use of the appliance in a safe way and if they understand the hazards involved. Cleaning and user maintenance shall not be made by children unless they are older than 8 and supervised. Keep the appliance and its cord out of reach of children aged less than 8 years.
- Children shall not play with the appliance.
- Only use this appliance for its intended purpose to avoid potential hazard or injury.
- Do not let the mains cord hang over the edge of the table or worktop on which the appliance stands.
- Do not touch the grinding burrs of the of the appliance, especially when the appliance is connected to a wall socket.
- Do not touch the hot surfaces of the appliance when it operates.
- Do not empty the water reservoir by tilting the appliance, as this can damage the appliance. To empty the appliance, follow the instructions for flushing the appliance (see 'Flushing the appliance').
- If a problem occurs that you cannot solve by means of this user manual, contact the Consumer Care Center in your country. If the problem cannot be solved, take the appliance to a service center authorized by Philips for examination or repair. Do not attempt to repair the appliance yourself, otherwise your warranty becomes invalid.

## Caution

- Do not place the appliance on a hot surface and prevent the mains cord from coming into contact with hot surfaces.
- Do not place the coffeemaker in a cabinet when in use.
- Unplug the appliance if problems occur during grinding or brewing and before you clean it.
- Keep the plug and the wall socket dry.
- Do not lift and move the appliance while it is operating.
- The jug is hot during and after brewing. Always hold the jug by its handle.
- Never use the jug in a microwave oven.
- Wait until the appliance has cooled down before you store it. The hotplate and the coffee jug may be hot.
- After you have unpacked the appliance, make sure it is complete and undamaged. If in doubt, do not use the appliance but contact the Consumer Care Center in your country.
- This machine is intended for normal household use only. It is not intended for use in environments such as staff kitchens of shops, offices, farms or other work environments.

## Electromagnetic fields (EMF)

This Philips appliance complies with all applicable standards and regulations regarding exposure to electromagnetic fields.

## Before first use

### Setting the clock

- 1 Put the mains plug in the wall socket. The time indication flashes on the display to indicate that you have to set the clock time (Fig. 2).
- 2 Turn the control knob to set the hour. The hour indication flashes (Fig. 3).
- 3 Press the center of the control knob to confirm the hour.
- 4 The minutes indication starts flashing to indicate that you have to set the minutes (Fig. 4).
- 5 Turn the control knob to set the minutes (Fig. 5).
- 6 Press the center of the control knob to confirm the minutes (Fig. 6).
- 7 The display shows the set clock time. The coffeemaker is now ready for use.



## Setting the automatic switch-off time

You can choose how long you want your coffee to stay hot after brewing by adjusting the time after which the appliance automatically switches off. The default automatic switch-off time is 30 minutes. The maximum automatic switch-off time is 120 minutes. To adjust the automatic switch-off time, follow the steps below.

- 1 Make sure that the appliance is switched off but the mains plug is in the wall socket.
- 2 Press the center of the control knob until the display starts flashing.
- 3 Turn the control knob to increase or decrease the time. 1 is 10 minutes, 2 is 20 minutes, 3 is 30 minutes and so on until 12 is 120 minutes.
- 4 Press the center of the control knob to confirm the automatic switch-off time.

Note: The appliance always saves the last setting.

## Flushing the appliance

Always flush the coffeemaker once before first use.

- 1 Open the water reservoir lid. Fill the water reservoir with fresh cold water up to the 8-cup indication (Fig. 7).

Note: Do not put coffee beans or pre-ground coffee in the water reservoir.

- 2 Close the water reservoir lid.
- 3 Put the jug in the appliance (Fig. 8).
- 4 Press the on/off button (Fig. 9). The display lights up and the appliance beeps.
- 5 Press the strength select button (Fig. 10).
- 6 Turn the control knob to choose the pre-ground coffee setting (Fig. 11). The pre-ground coffee icon starts flashing.
- 7 Press the center of the control knob to confirm.
- 8 Press the center of the control knob again. The appliance starts the flushing process.
- 9 Let the appliance operate until the flushing process is finished. It is finished when the appliance stops beeping.
- 10 Empty the jug.
- 11 Press the on/off button to switch off the appliance.

## Using the appliance

### Filling the water reservoir

There are indications for 2 to 10 cups (275ml to 1375ml) on the water-level window. You can use these indications to determine how much water to put in the water reservoir. The reflection changes from light to dark for each cup of water added.

- 1 Open the water reservoir lid and fill the water reservoir with the required amount of cold water (Fig. 7).

Note: Do not fill the water reservoir beyond the 10-cup indication.

Note: Make sure that the amount of water you pour into the water reservoir is consistent with the number of cups you want to brew. The coffeemaker uses all the water in the water reservoir.

## Using coffee beans

**Warning: Always keep the water reservoir lid closed when you fill the coffee bean container with coffee beans. Otherwise coffee beans can fall into the water reservoir and block up the water inlet.**

- 1 Open the coffee bean container lid (Fig. 12).
- 2 Fill the fresh bean duo container with coffee beans. You can fill the two containers with two different types of coffee beans. Make sure that there are enough coffee beans in the duo container for the amount of coffee you want to brew (Fig. 13).

Note: Always make sure that the fresh bean duo bean container is at least half full.

**Warning: To prevent the grinder from jamming, do not use unroasted or caramelized beans. Use coffee beans instead of espresso beans, as espresso beans may damage the grinder.**

- 3 Open the filter basket holder (Fig. 14).
- 4 Place a paper filter (type 1x4 or no. 4) or the permanent filter in the filter basket (Fig. 15).
- 5 Close the filter basket holder.
- 6 Turn the coarseness knob to select the desired type of grind (from fine to coarse). There are nine grind settings (Fig. 16).

Tip: The coarseness knob allows you to choose between 9 different settings. The icons indicate 3 preselected optimal settings, but you can choose any setting in between. We advise you to experiment with the different grind settings to find out which setting you prefer.

- 7 Turn the container selector to choose between the two containers.

Note: Whenever you switch between coffee bean containers or coffee beans, there will always be traces of coffee left of the previously ground type of coffee beans. Clean the grinder funnel after you switch to a new type of coffee bean to prevent this.

- 8 Press the strength button (Fig. 10). The coffee bean icons start flashing.
- 9 Turn the control knob to select the desired coffee strength: 1 bean for mild coffee, 2 beans for medium-strong coffee or 3 beans for strong coffee.
- 10 Press the center of the control knob to confirm the strength (Fig. 6).
- 11 To select the number of cups, turn the control knob until the desired number of cups flashes on the display.

Note: Please keep in mind that the coffeemaker uses all the water in the water reservoir. If you select a number of cups that is smaller than the amount of water, the coffee becomes weaker than you intended.

- 12 Press the center of the control knob to confirm the number of cups (Fig. 6).
- 13 Press the center of the control knob again. The appliance beeps and starts grinding the required amount of coffee beans. When the grinding process is finished, the appliance starts brewing coffee.
- 14 Wait until the coffeemaker has stopped beeping before you remove the jug.

Note: After brewing, coffee drips from the filter basket for several seconds.

- 15 The appliance keeps your coffee hot until it switches off automatically. If you do not need your coffee to be kept hot, press the on/off button to switch off the appliance.

## Using pre-ground coffee

If you want to use pre-ground coffee instead of coffee beans, follow the steps below.

- 1 Open the water reservoir lid and fill the water reservoir with the required amount of cold water (Fig. 7).
- 2 Open the filter basket holder (Fig. 14).
- 3 Place a paper filter (type 1x4 or no. 4) or the permanent filter in the filter basket.
- 4 Put pre-ground coffee in the paper filter or in the permanent filter.
- 5 Close the filter basket holder.
- 6 Put the jug in the appliance (Fig. 8).
- 7 Press the on/off button (Fig. 9). The display lights up.
- 8 Press the strength select button (Fig. 10).
- 9 Turn the control knob to choose the pre-ground coffee setting (Fig. 11). The pre-ground coffee icon lights up.
- 10 Press the center of the control knob to confirm (Fig. 6).
- 11 Then press the center of the control knob again to start the brewing process (Fig. 6).
- 12 Wait until the coffeemaker has stopped beeping before you remove the jug.

Note: After brewing, coffee drips from the filter basket for several seconds.

- 13 The appliance keeps your coffee hot until it switches off automatically. If you do not need your coffee to be kept hot, press the on/off button to switch off the appliance.

## Setting the timer

The timer enables you to program the time at which you want the brewing process to start. Make sure that all steps of brewing coffee with either preground coffee or coffee beans have been taken before setting the timer.

- 1 Press the timer button (Fig. 17). The hour indication flashes to indicate that you have to set the hour.
- 2 Turn the knob to set the hour (Fig. 18).
- 3 Press the center of the control knob to confirm the hour. The minutes starts to flash to indicate that you have to set the minutes.
- 4 Turn the control knob to set the minutes (Fig. 19).
- 5 Press the center of the knob to confirm the minutes and the time set (Fig. 21). The timer is set and the brewing process will start at the preset time.

## Drip stop function

The drip stop function enables you to remove the jug from the coffeemaker before the brewing process is finished. When you remove the jug, the drip stop stops the flow of coffee into the jug.

Note: The brewing process does not stop when you remove the jug. If you do not put the jug back in the appliance within 20 seconds, the filter basket overflows.

# Cleaning and maintenance

## Cleaning after every use

**Never immerse the appliance in water or any other liquid, nor rinse it under the tap.**

- 1 Remove the mains plug from the wall socket.
- 2 Wipe the outside of the coffeemaker with a damp cloth.

## 12 English

- 3 Clean the filter basket and the permanent filter with hot water and some washing-up liquid or clean them in the dishwasher.

### Cleaning the grinder funnel

**Important: Clean the grinder funnel every 1 to 2 weeks to prevent clogging with ground coffee. This is easily and quickly done by following the steps below.**

Note: Make sure the coffee bean container is empty before you start the cleaning procedure.

- 1 Press the on/off button to switch off the appliance (Fig. 21).
- 2 Open the filter basket holder (Fig. 14).
- 3 Place a paper filter (type 1x4 or no. 4) or the permanent filter in the filter basket (Fig. 15).
- 4 Close the filter basket holder.
- 5 Use the end of the bean chute cleaning brush to open the grinder funnel lid (Fig. 22).
- 6 Press and hold the strength select button for 4 seconds (Fig. 23). The grinder starts cleaning itself.
- 7 When the grinder has stopped cleaning, use the bean chute cleaning brush to brush ground coffee residues into the lower part of the funnel (Fig. 24). The ground coffee residues fall into the filter basket.
- 8 Close the lid of the grinder funnel.
- 9 Remove the paper filter or permanent filter with the ground coffee residues.

### Descaling the coffeemaker

Descal the coffeemaker when you notice excessive steaming or when the brewing time increases. It is advisable to descale the coffeemaker every two months. Only use white vinegar to descale, as other products may cause damage to the coffeemaker. For more information on descaling, see

[www.philips.com/descale-coffeemaker](http://www.philips.com/descale-coffeemaker).

**Warning: Never use vinegar with an acetic acid content of 8% or more, natural vinegar, powder descalers or tablet descalers to descale the appliance, as this may cause damage.**

- 1 Open the water reservoir lid.
- 2 Fill the water reservoir with white vinegar (4% acetic acid) up to the 10-cup indication.
- 3 Place a paper filter (type 1x4 or no. 4) or the permanent filter in the filter basket and close the filter basket holder.
- 4 Put the empty jug in the appliance.
- 5 Put the mains plug in the wall socket.
- 6 Press the on/off button to switch on the appliance (Fig. 9). The display lights up.
- 7 Press the strength select button and turn the control knob to choose the pre-ground coffee setting (Fig. 11).
- 8 Press the center of the control knob to confirm (Fig. 6).
- 9 Press the center of the control knob again to start the brewing process.
- 10 Wait until half of the vinegar has flowed into the jug. Then press the on/off button to interrupt the brewing process. Let the vinegar act for at least 15 minutes.
- 11 Press the on/off button to switch the coffeemaker back on.
- 12 Press the center of the control knob twice to let the appliance complete the brewing process (Fig. 25).
- 13 Empty the jug and remove the paper filter or the permanent filter with the scale residues.

- 14** Fill the water reservoir with fresh cold water and press the center of the control knob twice to start another brewing process (Fig. 25). Let the coffeemaker complete the entire brewing process and empty the jug.

Note: If necessary, repeat step 14 until the water that comes out of the appliance no longer tastes or smells of vinegar.

- 15** Clean the filter basket and the jug with hot water and some washing-up liquid.  
**16** Press the on/off button on the front of the appliance to switch off the appliance (Fig. 21).

## Ordering accessories

To buy accessories or spare parts, visit [www.shop.philips.com/service](http://www.shop.philips.com/service) or go to your Philips dealer. You can also contact the Philips Consumer Care Center in your country (see the international warranty leaflet for contact details).

## Warranty and support

If you need information or support, please visit [www.philips.com/support](http://www.philips.com/support) or read the international warranty leaflet.

## Recycling

- This symbol means that this product shall not be disposed of with normal household waste (2012/19/EU) (Fig. 26).
- Follow your country's rules for the separate collection of electrical and electronic products. Correct disposal helps prevent negative consequences for the environment and human health.

## Troubleshooting

This chapter summarizes the most common problems you could encounter with the appliance. If you are unable to solve the problem with the information below, visit [www.philips.com/support](http://www.philips.com/support) for a list of frequently asked questions or contact the Consumer Care Center in your country.

Problem	Solution
The appliance does not work.	Put the mains plug in the wall socket and press the on/off button to switch on the appliance.
	Make sure that the voltage indicated on the appliance corresponds to the local mains voltage.
	Fill the water reservoir with water.
	Close the lid of the grinder funnel.
The grinder does not work or does not work properly.	Make sure that you did not select pre-ground coffee. If the symbol for pre-ground coffee is visible on the display, you selected pre-ground coffee.
	Clean the grinder funnel by following the instructions.
When I use the grinder, the coffee is too weak.	Make sure that the number of cups you selected is consistent with the amount of water in the water reservoir. Please keep in mind that the coffeemaker uses all the water in the water reservoir.

## 14 English

Use the strength button to set the coffee strength to 'strong'.

Use coffee beans of a stronger blend or flavor.

When I use pre-ground coffee, the coffee is too weak.

Make sure that the amount of pre-ground coffee in the filter is consistent with the amount of water in the water reservoir. Please keep in mind that the appliance uses all the water in the water reservoir.

Use ground coffee of a stronger blend or flavor.

To increase the coffee strength, increase the amount of pre-ground coffee or decrease the amount of water.

The filter overflows when I remove the jug from the appliance while it is brewing coffee.

If you remove the jug for more than 20 seconds during the brewing process, the drip stop causes the filter basket to overflow. Also note that the coffee does not reach its full taste before the end of the brewing process. Therefore we advise you not to remove the jug and pour out the coffee before the end of the brewing process.

The appliance continues to drip long after the brewing process has ended.

The dripping is caused by condensation of steam. It is completely normal that the appliance drips for some time.

If the dripping does not stop, the drip stop may be clogged. To clean the drip stop, open the filter basket holder and take out the filter basket. Rinse the filter basket and the drip stop under the tap.

The coffee is not hot enough.

The coffee in the jug cools down faster if you brew only a few cups. The coffee stays hot longer if you brew 10 cups, which is a full jug.

Descalcify the appliance.

The appliance does not start cleaning the grinder funnel.

Make sure that the appliance is plugged in.

Open the lid of the grinder funnel before you press and hold the strength select button.

Press and hold the strength select button for 4 seconds until the grinder starts cleaning itself.

The appliance works but makes a beeping sound.

Please check if the lid of the grinder funnel is closed properly.

The coffee beans seem to be used up quickly.

To brew a perfect cup of coffee, the appliance needs a certain amount of ground coffee. The amount of coffee beans the appliance uses to obtain the optimal amount of ground coffee per cup is normal.

# Introduktion

Tillykke med dit køb, og velkommen til Philips! For at få fuldt udbytte af den support, Philips tilbyder, skal du registrere dit produkt på [www.philips.com/welcome](http://www.philips.com/welcome).

## Generel beskrivelse (fig. 1)

- 1 Filterkurv
- 2 Drypstop-funktion
- 3 Holder til filterkurv
- 4 Vandstandsindikator
- 5 Låg til vandtank
- 6 Låg til beholder til bønner
- 7 Vælger af beholder til kaffebønner
- 8 Knap til formalingsgrad
- 9 Dobbeltbeholder til friske bønner
- 10 Låg over kværnens tragt
- 11 Lås til låget over kværnens tragt
- 12 Vandpåfyldningshul
- 13 Display
- 14 On/off-knap
- 15 Ikon for formålet kaffe
- 16 Antal kopper
- 17 Ikon for kaffekop
- 18 Ikon med kaffebønne for valg af kaffestyrke
- 19 Knap til valg af kaffestyrke
- 20 Timer-knap
- 21 Kontrolknap
- 22 Tidsangivelse
- 23 Ikon for timer
- 24 Låg til glaskande
- 25 Glaskande
- 26 Rengøringsbørste til kaffebønneslisken

## Vigtigt

### Fare

- Apparatet må aldrig kommes ned i vand eller andre væsker, ej heller skylles under vandhanen.

### Advarsel

- Kontrollér, om den angivne netspænding på apparatet svarer til den lokale netspænding, før du slutter strøm til apparatet.
- Brug aldrig apparatet, hvis netstik, netledning eller selve apparatet er beskadiget.

- Hvis netledningen beskadiges, må den kun udskiftes af Philips, et autoriseret Philips-serviceværksted eller en tilsvarende kvalificeret fagmand for at undgå enhver risiko.
- Apparatet skal sluttes til en stikkontakt med jordforbindelse.
- Dette apparat kan bruges af børn fra 8 år og op og personer med nedsatte fysiske, sensoriske eller mentale evner eller manglende viden eller erfaring, hvis de er blevet vejledt eller instrueret i brug af apparatet på en sikker måde, og hvis de forstår de involverede risici. Rengøring og vedligeholdelse må ikke foretages af børn, medmindre de er over 8 år gamle og under opsyn. Hold apparatet og dets ledning uden for rækkevidde af børn under 8 år.
- Lad ikke børn lege med apparatet.
- Brug kun dette apparat til dets tilsigtede formål for at undgå potentielle farer og skader.
- Lad aldrig ledningen hænge ud over kanten af det bord eller den plads, som apparatet står på.
- Undgå at røre ved kværnbladene i apparatet, især når apparatet er tilsluttet en stikkontakt.
- Rør aldrig ved apparatets varme dele under betjening.
- Tøm ikke vandtanken ved at vippe apparatet, da det kan beskadige apparatet. Tøm vandtanken ved at følge vejledningen for gennemskylning af apparatet (se 'Gennemskylning').
- Skulle der opstå problemer, som du ikke kan afhjælpe vha. denne brugervejledning, bedes du kontakte det lokale Philips Kundecenter. Hvis du ikke kan løse problemet, skal du aflevere apparatet hos et autoriseret Philips-serviceværksted. Forsøg ikke at reparere apparatet selv, da din garanti ellers bliver ugyldig.

### **Forsigtig**

- Stil aldrig apparatet på et varmt underlag, og sørg for, at netledningen ikke kommer i berøring med varme flader.
- Placer ikke kaffemaskinen i et skab, når den er i brug.
- Tag stikket ud af stikkontakten, hvis der opstår problemer under formaling eller brygning samt før rengøring af apparatet.



- Både stik og stikkontakt skal holdes tørre.
- Undlad at flytte eller løfte apparatet under brug.
- Kanden er varm under og efter brygningen. Brug altid håndtaget, når du skal løfte kanden.
- Brug aldrig kanden i en mikroovn.
- Læg aldrig apparatet væk, før det er helt afkølet. Varmepladen og kaffekanden kan være varme.
- Efter udpakningen af apparatet skal du kontrollere, at det er helt og ubeskadiget. Hvis du er i tvivl, bør du ikke bruge apparatet men kontakte dit lokale Philips Kundecenter.
- Denne maskine er kun beregnet til normal anvendelse i hjemmet. Den er ikke beregnet til brug i miljøer som f.eks. personalekøkkener i butikker, på kontorer, på gårde eller andre arbejdspladser.

## Elektromagnetiske felter (EMF)

Dette Philips-apparat overholder alle branchens gældende standarder og regler angående eksponering for elektromagnetiske felter.

## Før apparatet tages i brug

### Indstilling af uret

- 1 Sæt stikket i en stikkontakt. Timeangivelsen blinker på displayet for at indikere, at du skal indstille klokkeslættet (fig. 2).
- 2 Drej kontrolknappen for at indstille klokken. Timeangivelsen blinker (fig. 3).
- 3 Tryk midt på kontrolknappen for at bekræfte klokken.
- 4 Minutangivelsen begynder at blinke for at indikere, at du skal indstille antal minutter (fig. 4).
- 5 Drej kontrolknappen for at indstille antal minutter (fig. 5).
- 6 Tryk midt på kontrolknappen for at bekræfte antal minutter (fig. 6).
- 7 Displayet viser klokkeslættet. Kaffemaskinen er nu klar til brug.

### Indstilling af automatisk slukketid

Du kan vælge, hvor længe kaffen skal holdes varm efter brygning ved at indstille den tid, hvor apparatet automatisk skal slukke. Standardindstillingen for automatisk slukketid er 30 minutter. Maksimumindstillingen for automatisk slukketid er 120 minutter. Følg nedenstående trin for at indstille den automatiske slukketid.

- 1 Kontrollér, at apparatet er slukket, og at stikket er sat i stikkontakten.
- 2 Tryk midt på kontrolknappen, indtil displayet begynder at blinke.
- 3 Drej kontrolknappen for at skruetiden frem eller tilbage. 1 er 10 minutter, 2 er 20 minutter, 3 er 30 minutter op til 12, der er 120 minutter.

## 18 Dansk

- Tryk midt på kontrolknappen for at bekræfte den automatiske slukketid.

Bemærk: Apparatet gemmer altid den sidste indstilling.

## Gennemskylning

Husk altid at gennemskylle kaffemaskinen før første brug.

- Åbn låget til vandtanken. Fyld vandtanken med friskt, koldt vand op til markeringen (fig. 7) for 8 kopper.

Bemærk: Kom ikke kaffebønner eller formalet kaffe i vandtanken.

- Luk låget til vandtanken.
- Sæt kanden i apparatet (fig. 8).
- Tryk på on/off-knappen (fig. 9). Displayet lyser, og apparatet bipper.
- Tryk på knappen (fig. 10) til valg af kaffestyrke.
- Drej kontrolknappen for at vælge indstillingen (fig. 11) til formaling af kaffe. Ikonet for formaling af kaffe begynder at blinke.
- Tryk midt på kontrolknappen for at bekræfte.
- Tryk endnu en gang midt på kontrolknappen. Apparatet går i gang med gennemskylningen.
- Lad apparatet køre, indtil skylningen er afsluttet. Skylningen er afsluttet, når apparatet stopper med at bippe.
- Tøm kanden.
- Sluk for apparatet ved at trykke på on/off-knappen.

## Sådan bruges apparatet

### Påfyldning af vandtanken

Der er angivelser for 2 til 10 kopper (275 ml til 1375 ml) på vandstandsrudden. Du kan bruge disse angivelser til at afgøre, hvor meget vand du skal hælde i vandtanken. Reflektionen ændres fra lys til mørk for hver kop vand, der hældes i.

- Åbn låget til vandtanken, og fyld vandtanken med den påkrævede mængde koldt vand (fig. 7).

Bemærk: Fyld aldrig vandtanken til op over mærket for 10 kopper.

Bemærk: Sørg for, at den mængde vand du hælder i vandtanken, svarer til antallet af kopper, du vil brygge. Kaffemaskinen bruger alt vandet i vandtanken.

### Brug af kaffebønner

**Advarsel: Sørg for, at låget til vandtanken altid er lukket, når du fylder kaffebønner i beholderen til kaffebønner. Ellers er der risiko for, at der falder kaffebønner ned i vandtanken, der tilstopper vandindtaget.**

- Åbn låget (fig. 12) til kaffebønnebeholderen.
- Fyld dobbeltbeholderen til friske kaffebønner med kaffebønner. Du kan fylde de to beholdere med to forskellige slags kaffebønner. Sørg for, at der er nok kaffebønner i dobbeltbeholderen til den mængde kaffe, du vil brygge (fig. 13).

Bemærk: Sørg altid for, at dobbeltbeholderen til friske bønner er mindst halvt fuld.

**Advarsel: Brug ikke uristede eller karamelliserede bønner, der kan forårsage, at kværnen låser sig fast. Brug kaffebønner i stedet for espressobønner, idet espressobønner kan beskadige kværnen.**

- 3 Åbn holderen til filterkurven (fig. 14).
- 4 Sæt et papirfilter (type 1x4 eller nr. 4) eller det permanente filter i filterkurven (fig. 15).
- 5 Luk holderen til filterkurven.
- 6 Drej på knappen til formalingsgrad for at vælge den ønskede type maling (fra fin til grov). Der er ni formalingsindstillinger (fig. 16).

Tip: Med knappen for formalingsgrad kan du vælge mellem ni forskellige indstillinger. Ikonerne angiver tre forudvalgte optimale indstillinger, men du kan også vælge alle indstillinger mellem ikonerne. Vi anbefaler, at du eksperimenterer med de forskellige malingsindstillinger for at finde ud af, hvilken indstilling du foretrækker.

- 7 Drej beholdervælgeren for at vælge mellem de to beholdere.

Bemærk: Når du skifter mellem kaffebønnebeholdere eller kaffebønner, vil der altid være rester af kaffe tilbage fra den tidligere malede kaffebønnetype. For at undgå dette kan du rengøre kaffebønneslisen, når du skifter til en ny type kaffebønner.

- 8 Tryk på knappen til valg af kaffestyrke (fig. 10). Ikonet for kaffebønner begynder at blinke.
- 9 Drej kontrolknappen for at vælge den ønskede kaffestyrke: 1 bønne for mild kaffe, 2 bønner for kaffe af mediumstyrke eller 3 bønner for stærk kaffe.
- 10 Tryk midt på kontrolknappen for at bekræfte styrken (fig. 6).
- 11 Du vælger antallet af kopper ved at dreje kontrolknappen, indtil det ønskede antal kopper blinker på displayet.

Bemærk: Husk, at kaffemaskinen bruger alt vandet i vandtanken. Hvis du vælger et antal kopper, der er mindre end den tilsvarende vandmængde, vil kaffen blive svagere.

- 12 Tryk midt på kontrolknappen for at bekræfte antallet af kopper (fig. 6).
- 13 Tryk endnu en gang midt på kontrolknappen. Kaffemaskinen bipper, og begynder at male den ønskede mængde kaffebønner. Når bønnerne er malet, begynder maskinen at brygge kaffe.
- 14 Vent, indtil kaffemaskinen er stoppet med at bippe, inden du fjerner kanden.

Bemærk: Efter brygningen drypper der kaffe fra filterkurven i flere sekunder.

- 15 Apparatet holder kaffen varm, indtil det slukkes automatisk. Hvis du ikke har brug for at få kaffen holdt varm, skal du trykke på on/off-knappen for at slukke apparatet.

## Brug af formalet kaffe

Hvis du vil bruge formalet kaffe i stedet for kaffebønner, skal du følge nedenstående trin.

- 1 Åbn låget til vandtanken, og fyld vandtanken med den påkrævede mængde koldt vand (fig. 7).
- 2 Åbn holderen til filterkurven (fig. 14).
- 3 Sæt et papirfilter (type 1x4 eller nr. 4) eller det permanente filter i filterkurven.
- 4 Put formalet kaffe i papirfiltret eller i det permanente filter.
- 5 Luk holderen til filterkurven.
- 6 Sæt kanden i apparatet (fig. 8).
- 7 Tryk på on/off-knappen (fig. 9). Displayet lyser.
- 8 Tryk på knappen til valg af kaffestyrke (fig. 10).
- 9 Drej kontrolknappen for at vælge indstillingen til formaling af kaffe (fig. 11). Ikonet for formaling af kaffe lyser.
- 10 Tryk midt på kontrolknappen for at bekræfte (fig. 6).
- 11 Tryk derefter midt på kontrolknappen igen for at starte brygningen (fig. 6).

## 20 Dansk

12 Vent, indtil kaffemaskinen er stoppet med at bippe, inden du fjerner kanden.

Bemærk: Efter brygningen drypper der kaffe fra filterkurven i flere sekunder.

13 Apparatet holder kaffen varm, indtil det slukker automatisk. Hvis du ikke har brug for at få kaffen holdt varm, skal du trykke på on/off-knappen for at slukke apparatet.

### Indstilling af timeren

Timeren gør det muligt at indstille det tidspunkt, hvor brygningen skal starte. Sørg for, at alle kaffebrygningstrin er valgt med enten formalet kaffe eller kaffebønner, før du indstiller timeren.

- 1 Tryk på timer-knappen (fig. 17). Timetallet blinker for at indikere, at du skal indstille antal timer.
- 2 Drej på knappen for at indstille antal timer (fig. 18).
- 3 Tryk midt på kontrolknappen for at bekræfte klokken. Minuttallet begynder at blinke for at indikere, at du skal indstille antal minutter.
- 4 Drej kontrolknappen for at indstille antal minutter (fig. 19).
- 5 Tryk midt på kontrolknappen for at bekræfte antal minutter og det indstillede klokkeslæt (fig. 21). Timeren er indstillet, og brygningen starter på det angivne tidspunkt.

### Drypstop-funktion

Drypstop-funktionen gør det muligt at fjerne kanden fra kaffemaskinen, inden bryggeprocessen er færdig. Når du fjerner kanden, stopper drypstop-funktionen kaffens løb ned i kanden.

Bemærk: Brygningen stopper ikke, når du fjerner kanden. Hvis du ikke stiller kanden tilbage på apparatet inden for 20 sekunder, flyder filterkurven over.

## Rengøring og vedligeholdelse

### Rengøring efter hver brug

**Apparatet må aldrig kommes ned i vand eller andre væsker, ej heller skylles under vandhanen.**

- 1 Tag stikket ud af stikkontakten.
- 2 Tør kaffemaskinens yderside af med en fugtig klud.
- 3 Rengør filterkurven og det permanente filter med varmt vand og lidt opvaskemiddel, eller vask dem i opvaskemaskinen.

### Rengøring af kværnens tragt

**Vigtigt: Rengør kværnens tragt med en til to ugers mellemrum for at forhindre tilstopning med formalet kaffe. Dette gøres hurtigt og nemt på følgende måde.**

Bemærk: Sørg for, at kaffebønnebeholderen er tom, før du starter rengøringen.

- 1 Sluk for apparatet (fig. 21) ved at trykke på on/off-knappen.
- 2 Åbn holderen til filterkurven (fig. 14).
- 3 Sæt et papirfilter (type 1x4 eller nr. 4) eller det permanente filter i filterkurven (fig. 15).
- 4 Luk holderen til filterkurven.

- 5 Brug enden af rengøringsbørsten til kaffebønneslisen til at åbne låget over kværnens tragt (fig. 22) med.
- 6 Tryk på knappen til valg af kaffestyrke, og hold den nede i 4 sekunder (fig. 23). Kværnen begynder at rengøre sig selv.
- 7 Når kværnen er færdig med rengøringsprocessen, skal du bruge rengøringsbørsten til kaffebønneslisen til at børste rester af malet kaffe ned i den nederste del af tragten (fig. 24). De maledede kafferester falder ned i filterkurven.
- 8 Luk låget over kværnens tragt.
- 9 Fjern papirfilteret eller det permanente filter med de maledede kafferester.

## Afkalkning af kaffemaskine

Afkalk kaffemaskinen, hvis der dannes meget damp, eller hvis bryggetiden øges. Det anbefales at afkalke kaffemaskinen hver anden måned. Brug kun hvid eddike til afkalkning, da andre produkter kan beskadige kaffemaskinen. Du kan finde flere oplysninger om afkalkning på [www.philips.com/descale-coffeemaker](http://www.philips.com/descale-coffeemaker).

**Advarsel: Brug aldrig eddike med et indhold af eddikesyre på 8 % eller mere, naturlig vineddike eller afkalkningsmidler i pulver eller tabletform til at afkalke apparatet, da dette kan medføre skader.**

- 1 Åbn låget til vandtanken.
  - 2 Fyld vandtanken op med hvid eddike (4 % eddikesyre) til markeringen for ti kopper.
  - 3 Sæt et papirfilter (type 1x4 eller nr. 4) eller det permanente filter i filterkurven, og luk holderen til filterkurven.
  - 4 Sæt den tomme kande i apparatet.
  - 5 Sæt stikket i en stikkontakt.
  - 6 Tænd apparatet (fig. 9) ved at trykke på on/off-knappen. Displayet lyser.
  - 7 Tryk på knappen til valg af kaffestyrke, og drej kontrolknappen for at vælge indstillingen (fig. 11) til formaling af kaffe.
  - 8 Tryk midt på kontrolknappen for at bekræfte (fig. 6).
  - 9 Tryk midt på kontrolknappen igen for at starte brygningen.
  - 10 Vent, indtil halvdelen af eddiken er løbet ned i kanden. Tryk derefter på on/off-knappen for at afbryde brygningen. Lad eddiken virke i mindst 15 minutter.
  - 11 Tryk på on/off-knappen for at tænde for kaffemaskinen igen.
  - 12 Tryk to gange midt på kontrolknappen for at lade apparatet gennemføre brygningen (fig. 25).
  - 13 Tøm kanden, og fjern papirfilteret eller det permanente filter med kalkrester.
  - 14 Fyld vandtanken med friskt, koldt vand, og tryk to gange midt på kontrolknappen for at lade apparatet gennemføre endnu en brygning (fig. 25). Lad kaffemaskinen gennemføre hele brygningen, og tøm derefter kanden.
- Bemærk: Hvis det er nødvendigt, skal du gentage trin 14, indtil det vand, der kommer ud af apparatet, ikke længere smager eller lugter af eddike.
- 15 Rengør filterkurven og kanden med varmt vand med opvaskemiddel.
  - 16 Tryk på on/off-knappen foran på apparatet for at slukke for apparatet (fig. 21).

## Bestilling af tilbehør

Du kan købe tilbehør og reservedele på [www.shop.philips.com/service](http://www.shop.philips.com/service) eller hos din Philips-forhandler. Du kan også kontakte det lokale Philips-kundecenter (du kan finde kontaktoplysninger i folderen "World-Wide Guarantee").

## Reklamerationsret og support

Hvis du har brug for hjælp eller support, bedes du besøge [www.philips.com/support](http://www.philips.com/support) eller læse i folderen om international garanti.

## Genanvendelse

- Dette symbol betyder, at dette produkt ikke må bortskaffes sammen med almindeligt husholdningsaffald (2012/19/EU) (fig. 26).
- Følg den nationale lovgivning om særskilt indsamling af elektriske og elektroniske produkter. Korrekt bortskaffelse er med til at forhindre negativ påvirkning af miljøet og menneskers helbred.

## Fejlfinding

Dette afsnit opsummerer de mest almindelige problemer, der kan forekomme ved brug af apparatet. Har du brug for yderligere hjælp og vejledning, så besøg [www.philips.com/support](http://www.philips.com/support) for at se en liste med ofte stillede spørgsmål, eller kontakt dit lokale Philips Kundecenter.

Problem	Løsning
Apparatet fungerer ikke.	Sæt stikket i stikkontakten, og tryk på on/off-knappen for at tænde for apparatet.
	Kontrollér, om den angivne netspænding på apparatet svarer til den lokale netspænding.
	Fyld vandtanken med vand.
	Luk låget over kværnens tragt.
Kværnen fungerer ikke korrekt.	Kontrollér, at du ikke har valgt formalet kaffe. Hvis symbolet for formalet kaffe vises på displayet, har du valgt formalet kaffe.
	Rengør kværnens tragt ved at følge vejledningen.
Når jeg bruger kværnen, smager kaffen for svagt.	Sørg for, at det antal kopper, du har valgt, passer med mængden af vand i vandtanken. Husk, at kaffemaskinen bruger alt vandet i vandtanken.
	Brug knappen til valg af kaffestyrke til at indstille kaffens styrke til "strong" (stærk).
	Brug kaffebønner med en stærkere blanding eller smag.
Når jeg bruger formalet kaffe, er kaffens styrke for svag.	Sørg for, at mængden af formalet kaffe i filteret, passer med mængden af vand i vandtanken. Husk, at kaffemaskinen bruger alt vandet i vandtanken.
	Brug en stærkere formalet kaffeblending eller en formalet kaffe med en stærkere smag.
	For at øge kaffens styrke, skal du øge mængden af formalet kaffe eller reducere mængden af vand.

Filteret flyder over, når jeg fjerner kanden fra apparatet, mens det brygger kaffe.	Hvis du fjerner kanden i mere end 20 sekunder under brygningen, får drypstoppet filterkurven til at løbe over. Du skal også være opmærksom på, at kaffen først opnår sin fulde smag ved afslutningen af brygningen. Vi anbefaler derfor, at du ikke tager kanden ud og skænker kaffen op, inden brygningen er helt færdig.
Apparatet fortsætter med at dryppe et stykke tid efter endt brygning.	Dråbedannelsen skyldes kondensering af damp. Det er helt normalt, at apparatet drypper et stykke tid.
	Hvis apparatet ikke stopper med at dryppe, kan drypstop-funktionen være tilstoppet. Rengør drypstoppet ved at åbne holderen til filterkurven, og tag filterkurven ud. Skyl filterkurven og drypstoppet under vandhanen.
Kaffen er ikke tilstrækkelig varm.	Kaffen i kanden bliver hurtigere kold, hvis du kun brygger få kopper kaffe. Kaffen holder sig varm i længere tid, hvis du brygger ti kopper, der svarer til en fuld kande.
	Afkalk apparatet.
Apparatet starter ikke rengøring af kværnens tragt.	Kontrollér, at stikket er sat i stikkontakten.
	Åbn låget til kværnens tragt, inden du holder knappen til valg af kaffestyrke nede.
	Tryk og hold knappen til valg af kaffestyrke nede i 4 sekunder, indtil kværnen begynder at rengøre sig selv.
Apparatet virker, men udsender en biplyd.	Kontrollér, om låget til kværnens tragt er lukket ordentligt.
Det virker som om, at kaffebønnerne hurtigt opbruges.	For at kunne brygge en perfekt kop kaffe skal der fyldes en vis mængde formalet kaffe på kaffemaskinen. Den mængde kaffebønner, som kaffemaskinen bruger for at opnå den optimal mængde malet kaffe pr. kop, er normal.

## Einführung

Herzlichen Glückwunsch zu Ihrem Kauf und willkommen bei Philips! Um die Unterstützung von Philips optimal nutzen zu können, sollten Sie Ihr Produkt unter [www.philips.com/welcome](http://www.philips.com/welcome) registrieren.

## Allgemeine Beschreibung (Abb. 1)

- 1 Filterkorb
- 2 Tropf-Stopp
- 3 Filterkorbhalter
- 4 Wasserstandsanzeige
- 5 Deckel des Wasserbehälters
- 6 Deckel des Kaffeebohnenbehälters
- 7 Kaffeebohnenbehälter-Auswahl
- 8 Mahlgradregler
- 9 Doppelter Kaffeebohnenbehälter
- 10 Deckel des Mahlwerktrichters
- 11 Deckelverschluss des Mahlwerktrichters
- 12 Wassereinfüllöffnung
- 13 Display
- 14 Ein-/Ausschalter
- 15 Symbol für gemahlene Kaffeebohnen
- 16 Anzahl an Tassen
- 17 Kaffeetassensymbol
- 18 Symbol zur Einstellung der Kaffeebohnenstärke
- 19 Taste zur Einstellung der Kaffeestärke
- 20 Timer-Taste
- 21 Drehschalter
- 22 Zeitanzeige
- 23 Timer-Symbol
- 24 Glaskannendeckel
- 25 Glaskanne
- 26 Reinigungsbürste für die Kaffeebohnenbehälter

## Wichtig

### Gefahr

- Tauchen Sie das Gerät niemals in Wasser oder andere Flüssigkeiten; spülen Sie es auch nicht unter fließendem Wasser ab.

### Warnhinweis

- Prüfen Sie, bevor Sie das Gerät in Betrieb nehmen, ob die Spannungsangabe auf dem Gerät mit der örtlichen Netzspannung übereinstimmt.
- Verwenden Sie das Gerät nicht, wenn der Netzstecker, das Netzkabel oder das Gerät selbst defekt oder beschädigt sind.



- Um Gefährdungen zu vermeiden, darf ein defektes Netzkabel nur von einem Philips Service-Center, einer von Philips autorisierten Werkstatt oder einer ähnlich qualifizierten Person durch ein Original-Ersatzkabel ersetzt werden.
- Schließen Sie das Gerät an eine geerdete Steckdose an.
- Dieses Gerät kann von Kindern ab 8 Jahren und Personen mit verringerten physischen, sensorischen oder psychischen Fähigkeiten oder Mangel an Erfahrung und Kenntnis verwendet werden, wenn sie bei der Verwendung beaufsichtigt wurden oder Anweisungen zum sicheren Gebrauch des Geräts erhalten und die Gefahren verstanden haben. Reinigung und Pflege dürfen nicht von Kindern durchgeführt werden, außer sie sind älter als 8 Jahre und werden beaufsichtigt. Bewahren Sie das Gerät und das Kabel außerhalb der Reichweite von Kindern unter 8 Jahren auf.
- Kinder dürfen nicht mit dem Gerät spielen.
- Verwenden Sie dieses Gerät nur für den angegebenen Zweck, um potenzielle Gefahren und Verletzungen zu vermeiden.
- Lassen Sie das Netzkabel nicht über den Rand der Arbeitsfläche hängen, auf der das Gerät steht.
- Berühren Sie nicht die Mahlklingen des Geräts, insbesondere, wenn das Gerät an eine Steckdose angeschlossen ist.
- Vermeiden Sie jede Berührung der heißen Oberflächen, wenn das Gerät in Betrieb ist.
- Leeren Sie den Wasserbehälter nicht durch Kippen des Geräts, da dies zu Beschädigungen des Geräts führen kann. Um das Gerät zu entleeren, befolgen Sie die Anweisungen zum Durchspülen des Geräts (siehe 'Das Gerät durchspülen').
- Wenn ein Problem auftritt, das sich mithilfe dieser Bedienungsanleitung nicht lösen lässt, wenden Sie sich an ein Philips Service-Center in Ihrem Land. Wenn das Problem nicht gelöst werden kann, bringen Sie das Gerät zur Überprüfung bzw. Reparatur in eine von Philips autorisierte Werkstatt. Versuchen Sie nicht, das Gerät selbst zu reparieren, da andernfalls die Garantie erlischt.

## Achtung

- Stellen Sie das Gerät nicht auf heiße Flächen. Lassen Sie auch das Netzkabel nicht mit heißen Oberflächen in Berührung kommen.
- Die Kaffeemaschine beim Betrieb nicht in einem Schrank aufbewahren.
- Ziehen Sie den Netzstecker aus der Steckdose, falls Probleme während des Mahl- oder Brühvorgangs auftreten und bevor Sie das Gerät reinigen.
- Halten Sie den Netzstecker und die Steckdose trocken.
- Heben Sie das Gerät nicht an und verschieben Sie es nicht, während es in Betrieb ist.
- Während des Brühvorgangs und danach ist die Kanne heiß. Fassen Sie sie daher immer am Griff an.
- Verwenden Sie die Kanne keinesfalls in einer Mikrowelle.
- Lassen Sie das Gerät abkühlen, bevor Sie es wegräumen. Die Warmhalteplatte und die Kaffeekanne können heiß sein.
- Vergewissern Sie sich, nachdem Sie das Gerät ausgepackt haben, dass keine Teile fehlen und das Gerät nicht beschädigt ist. Falls Sie sich nicht sicher sind, verwenden Sie das Gerät nicht, sondern wenden Sie sich an ein Philips Service-Center in Ihrem Land.
- Diese Maschine ist nur für den normalen Hausgebrauch bestimmt. Sie ist nicht für den Gebrauch in Personalküchen, Büros, landwirtschaftlichen Betrieben oder anderen gewerblichen Umgebungen vorgesehen.

## Elektromagnetische Felder

Dieses Philips-Gerät erfüllt alle einschlägigen Normen und Vorschriften zur Exposition gegenüber elektromagnetischen Feldern.

## Vor dem ersten Gebrauch

### Die Uhrzeit einstellen

- 1 Stecken Sie den Netzstecker in eine Steckdose. Die Zeitanzeige auf dem Display blinkt und zeigt damit an, dass Sie die Uhrzeit (Abb. 2) einstellen müssen.
- 2 Drehen Sie den Drehknopf, um die Stunde einzustellen. Die Stundenanzeige blinkt (Abb. 3).
- 3 Drücken Sie zum Bestätigen der Stunde die Mitte des Drehknopfes.

- 4 Die Minutenanzeige beginnt zu blinken und zeigt damit an, dass Sie die Minute (Abb. 4) einstellen müssen.
- 5 Drehen Sie den Drehknopf, um die Minute (Abb. 5) einzustellen.
- 6 Drücken Sie zum Bestätigen der Minute (Abb. 6) die Mitte des Drehknopfes.
- 7 Die eingestellte Uhrzeit wird auf dem Display angezeigt. Die Kaffeemaschine ist jetzt gebrauchsbereit.

## Die automatische Abschaltzeit einstellen

Sie können festlegen, wie lange der Kaffee nach der Zubereitung heiß bleiben soll, indem Sie die Zeit einstellen, nach der sich das Gerät automatisch ausschalten soll. Die Standardzeit beträgt 30 Minuten. Die maximale automatische Abschaltzeit beträgt 120 Minuten. Wenn Sie die automatische Abschaltzeit einstellen möchten, führen Sie die nachstehenden Schritte aus.

- 1 Achten Sie darauf, dass das Gerät ausgeschaltet ist, der Netzstecker jedoch in der Steckdose steckt.
- 2 Drücken Sie die Mitte des Drehschalters, bis das Display zu blinken beginnt.
- 3 Drehen Sie den Drehschalter, um die Zeit zu erhöhen oder zu verringern. 1 bedeutet 10 Minuten, 2 bedeutet 20 Minuten, 3 bedeutet 30 Minuten usw. bis 12 (120 Minuten).
- 4 Drücken Sie die Mitte des Drehschalters, um die automatische Abschaltzeit zu bestätigen.

**Hinweis:** Das Gerät speichert immer die letzte Einstellung.

## Das Gerät durchspülen

Spülen Sie die Kaffeemaschine vor dem ersten Gebrauch einmal durch.

- 1 Öffnen Sie den Deckel des Wasserbehälters. Füllen Sie den Wasserbehälter bis zur Markierung (Abb. 7) für 8 Tassen mit frischem, kaltem Wasser.

**Hinweis:** Geben Sie keine Kaffeebohnen und keinen vorgemahlene Kaffee in den Wasserbehälter.

- 2 Schließen Sie den Deckel des Wasserbehälters.
- 3 Setzen Sie die Kanne in das Gerät (Abb. 8) ein.
- 4 Drücken Sie den Ein-/Ausschalter (Abb. 9). Das Display leuchtet auf, und das Gerät gibt Signaltöne aus.
- 5 Drücken Sie die Taste (Abb. 10) zur Einstellung der Kaffeestärke.
- 6 Drehen Sie den Drehschalter, um die Einstellung (Abb. 11) für vorgemahlene Kaffee auszuwählen. Das Symbol für vorgemahlene Kaffee beginnt zu blinken.
- 7 Drücken Sie zum Bestätigen die Mitte des Drehschalters.
- 8 Drücken Sie erneut die Mitte des Drehschalters. Das Gerät startet den Spülvorgang.
- 9 Warten Sie, bis der Spülvorgang abgeschlossen ist. Der Vorgang ist abgeschlossen, wenn das Gerät keine Signaltöne mehr ausgibt.
- 10 Leeren Sie die Kanne aus.
- 11 Drücken Sie den Ein-/Ausschalter, um das Gerät auszuschalten.

## Das Gerät benutzen

### Den Wasserbehälter füllen

Im Sichtfenster für den Wasserstand befinden sich Markierungen für 2 bis 10 Tassen (275 ml bis 1.375 ml). Sie können mithilfe dieser Markierungen feststellen, wie viel Wasser sich im Wasserbehälter befindet. Die Reflexion wird mit jeder hinzugefügten Tasse Wasser dunkler.

## 28 Deutsch

- 1 Öffnen Sie den Deckel des Wasserbehälters, und füllen Sie den Wasserbehälter mit der erforderlichen Menge an kaltem Wasser (Abb. 7).

Hinweis: Füllen Sie den Wasserbehälter nicht über die 10-Tassen-Markierung hinaus.

Hinweis: Achten Sie darauf, dass die Menge Wasser im Wasserbehälter der Anzahl der Tassen entspricht, die Sie zubereiten möchten. Die Kaffeemaschine verbraucht sämtliches Wasser im Wasserbehälter.

## Kaffeebohnen verwenden

**Warnhinweis: Halten Sie den Deckel des Wasserbehälters immer geschlossen, wenn Sie den Kaffeebohnenbehälter mit Kaffeebohnen füllen. Andernfalls können Kaffeebohnen in den Wasserbehälter fallen und den Wasserzulauf verstopfen.**

- 1 Öffnen Sie den Deckel (Abb. 12) des Kaffeebohnenbehälters.
- 2 Füllen Sie den doppelten Kaffeebohnenbehälter mit Kaffeebohnen. Sie können die beiden Behälter mit unterschiedlichen Arten von Kaffeebohnen füllen. Achten Sie darauf, dass sich im doppelten Behälter genügend Kaffeebohnen für die zuzubereitende (Abb. 13) Kaffeemenge befinden.

Hinweis: Achten Sie stets darauf, dass der doppelte Kaffeebohnenbehälter mindestens halb voll ist.

**Warnhinweis: Um zu verhindern, dass das Mahlwerk klemmt, verwenden Sie keine ungerösteten oder karamellisierten Bohnen. Verwenden Sie Kaffeebohnen anstatt Espresso-Bohnen, da Espresso-Bohnen das Mahlwerk beschädigen können.**

- 3 Öffnen Sie den Filterkorbhalter (Abb. 14).
- 4 Setzen Sie einen Papierfilter (Typ 1x4 oder Nr. 4) oder den Dauerfilter in den Filterkorb (Abb. 15) ein.
- 5 Schließen Sie den Filterkorbhalter.
- 6 Drehen Sie den Mahlgradregler, um den gewünschten Mahlgrad auszuwählen (von fein bis grob). Es gibt neun Mahleinstellungen (Abb. 16).

Tipp: Mit dem Mahlgradregler können Sie zwischen 9 verschiedenen Einstellungen wählen. Die Symbole zeigen 3 vorausgewählte optimale Einstellungen an, Sie können jedoch auch jede Einstellung dazwischen auswählen. Wir empfehlen, verschiedene Mahlstufen zu testen, um Ihre bevorzugte Stufe herauszufinden.

- 7 Drehen Sie den Behälterwählschalter, um zwischen den beiden Behältern zu wählen.

Hinweis: Wenn Sie zwischen den Kaffeebohnenbehältern oder Kaffeebohnen wechseln, bleiben immer Spuren der zuvor gemahlene Sorten Kaffeebohnen zurück. Um dies zu verhindern, reinigen Sie den Trichter des Mahlwerks, wenn Sie die Kaffeebohnenart wechseln.

- 8 Drücken Sie die Stärketaste (Abb. 10). Das Symbol für Kaffeebohnen blinkt.
- 9 Drehen Sie den Drehschalter, um die gewünschte Kaffeestärke auszuwählen: 1 Bohne für milden Kaffee, 2 Bohnen für mittelstarken Kaffee oder 3 Bohnen für starken Kaffee.
- 10 Drücken Sie zum Bestätigen der Stärke (Abb. 6) die Mitte des Drehknopfes.
- 11 Um die Anzahl der Tassen auszuwählen, drehen Sie den Drehknopf so lange, bis die gewünschte Anzahl von Tassen auf dem Display blinkt.

Hinweis: Denken Sie daran, dass die Kaffeemaschine das gesamte Wasser im Wasserbehälter verbraucht. Wenn Sie eine Anzahl an Tassen auswählen, für die nicht die gesamte Wassermenge notwendig ist, wird der Kaffee schwächer als beabsichtigt.

- 12 Drücken Sie die Mitte des Drehknopfes, um die Anzahl der Tassen (Abb. 6) zu bestätigen.

- 13** Drücken Sie erneut die Mitte des Drehschalters. Das Gerät gibt einen Signalton aus und beginnt damit, die erforderliche Menge an Kaffeebohnen zu mahlen. Sobald der Mahlvorgang abgeschlossen ist, beginnt das Gerät, Kaffee zu brühen.
- 14** Warten Sie, bis die Kaffeemaschine aufgehört hat zu piepsen, bevor Sie die Kanne entfernen.
- Hinweis: Nach dem Brühvorgang tropft noch einige Sekunden lang Kaffee aus dem Filterkorb.
- 15** Das Gerät hält Ihren Kaffee heiß, bis es sich automatisch ausschaltet. Wenn der Kaffee nicht heiß gehalten werden muss, drücken Sie den Ein-/Ausschalter, um das Gerät auszuschalten.

## Gemahlene Kaffee verwenden

Wenn Sie gemahlene Kaffee statt Kaffeebohnen verwenden wollen, befolgen Sie diese Schritte.

- 1** Öffnen Sie den Deckel des Wasserbehälters, und füllen Sie den Wasserbehälter mit der erforderlichen Menge an kaltem Wasser (Abb. 7).
  - 2** Öffnen Sie den Filterkorbhalter (Abb. 14).
  - 3** Setzen Sie einen Papierfilter (Typ 1x4 oder Nr. 4) oder den Dauerfilter in den Filterkorb ein.
  - 4** Geben Sie gemahlene Kaffee in die Filtertüte oder in den Dauerfilter.
  - 5** Schließen Sie den Filterkorbhalter.
  - 6** Setzen Sie die Kanne in das Gerät (Abb. 8) ein.
  - 7** Drücken Sie den Ein-/Ausschalter (Abb. 9). Das Display leuchtet auf.
  - 8** Drücken Sie die Taste zur Einstellung der Kaffeestärke (Abb. 10).
  - 9** Drehen Sie den Drehschalter, um die Einstellung für vorgemahlene Kaffee (Abb. 11) auszuwählen. Das Symbol für vorgemahlene Kaffee leuchtet auf.
  - 10** Drücken Sie zum Bestätigen (Abb. 6) die Mitte des Drehschalters.
  - 11** Drücken Sie die Mitte des Drehknopfes erneut, um den Brühvorgang (Abb. 6) zu starten.
  - 12** Warten Sie, bis die Kaffeemaschine aufgehört hat zu piepsen, bevor Sie die Kanne entfernen.
- Hinweis: Nach dem Brühvorgang tropft noch einige Sekunden lang Kaffee aus dem Filterkorb.
- 13** Das Gerät hält Ihren Kaffee heiß, bis es sich automatisch ausschaltet. Wenn der Kaffee nicht heiß gehalten werden muss, drücken Sie den Ein-/Ausschalter, um das Gerät auszuschalten.

## Den Timer einstellen

Der Timer ermöglicht es Ihnen, die Zeit zu programmieren, an dem Sie mit dem Brühvorgang beginnen möchten. Achten Sie darauf, dass alle Schritte der Zubereitung von Kaffee mit vorgemahlene Kaffee oder Kaffeebohnen durchgeführt wurden, bevor Sie den Timer einstellen.

- 1** Drücken Sie die Timer-Taste (Abb. 17). Die Stundenanzeige blinkt, um anzuzeigen, dass Sie die Stunde einstellen müssen.
- 2** Drehen Sie den Knopf, um die Stunde (Abb. 18) einzustellen.
- 3** Drücken Sie zum Bestätigen der Stunde die Mitte des Drehknopfes. Wenn die Minuten zu blinken beginnen, können Sie die Minuten einstellen.
- 4** Drehen Sie den Drehknopf, um die Minute (Abb. 19) einzustellen.
- 5** Drücken Sie auf die Mitte des Knopfes, um die Minute und die eingestellte Zeit (Abb. 21) zu bestätigen. Der Timer ist eingestellt, und der Brühvorgang wird zur voreingestellten Zeit gestartet.

## Tropf-Stopp-Funktion

Dank der Tropf-Stopp-Funktion können Sie die Kanne aus der Kaffeemaschine herauszunehmen, bevor der Brühvorgang beendet ist. Wenn Sie die Kanne herausnehmen, verhindert die Tropf-Stopp-Funktion ein Auslaufen des Kaffees.

Hinweis: Der Brühvorgang wird nicht unterbrochen, wenn Sie die Kanne herausnehmen. Wenn Sie nicht innerhalb von 20 Sekunden die Kanne wieder in das Gerät einsetzen, läuft der Filterkorb über.

## Reinigung und Wartung

### Reinigung nach jedem Gebrauch

**Tauchen Sie das Gerät niemals in Wasser oder andere Flüssigkeiten; spülen Sie es auch nicht unter fließendem Wasser ab.**

- 1 Ziehen Sie den Netzstecker aus der Steckdose.
- 2 Reinigen Sie die Oberflächen der Kaffeemaschine mit einem feuchten Tuch.
- 3 Reinigen Sie den Filterkorb und den Dauerfilter in heißem Spülwasser oder im Geschirrspüler.

### Den Trichter des Mahlwerks reinigen

**Wichtig: Reinigen Sie den Trichter des Mahlwerks alle 1 bis 2 Wochen, um Verstopfungen mit gemahlenem Kaffee zu vermeiden. Dies kann schnell und einfach mit den folgenden Schritten erledigt werden.**

Hinweis: Vergewissern Sie sich vor der Reinigung, dass der Kaffeebohnenbehälter leer ist.

- 1 Drücken Sie den Ein-/Ausschalter, um das Gerät (Abb. 21) auszuschalten.
- 2 Öffnen Sie den Filterkorbbalger (Abb. 14).
- 3 Setzen Sie einen Papierfilter (Typ 1x4 oder Nr. 4) oder den Dauerfilter in den Filterkorb (Abb. 15) ein.
- 4 Schließen Sie den Filterkorbbalger.
- 5 Verwenden Sie das Ende der Reinigungsbürste für die Kaffeebohnenbeschütte, um den Deckel des Mahlwerktrichters (Abb. 22) zu öffnen.
- 6 Halten Sie die Taste zum Einstellen der Kaffeestärke 4 Sekunden (Abb. 23) lang gedrückt. Die Mühle beginnt, sich zu reinigen.
- 7 Wenn die Mühle die Reinigung beendet hat, verwenden Sie die Reinigungsbürste, um Reste von gemahlenem Kaffee in den unteren Teil des Trichters (Abb. 24) zu bürsten. Die Reste des gemahlene Kaffees fallen in den Filterkorb.
- 8 Schließen Sie den Deckel des Mahlwerktrichters.
- 9 Entfernen Sie den Papierfilter oder den Dauerfilter mit den Resten des gemahlene Kaffees.

### Die Kaffeemaschine entkalken

Entkalken Sie die Kaffeemaschine, wenn Sie übermäßige Dampfbildung bemerken oder die Zubereitungszeit steigt. Es ist ratsam, die Kaffeemaschine alle zwei Monate zu entkalken. Verwenden Sie nur Haushaltsessig zum Entkalken, da andere Produkte die Kaffeemaschine beschädigen können. Weitere Informationen zum Entkalken finden Sie unter [www.philips.com/descale-coffeemaker](http://www.philips.com/descale-coffeemaker).

**Warnhinweis: Verwenden Sie zum Entkalken des Geräts auf keinen Fall Haushaltsessig mit einem Säuregehalt von 8 % oder mehr, natürlichen Essig oder Entkalker in Pulver- oder Tablettenform, da dies zu Beschädigungen führen kann.**

- 1 Öffnen Sie den Deckel des Wasserbehälters.
- 2 Füllen Sie den Wasserbehälter bis zur Markierung für 10 Tassen mit Haushaltsessig (4 % Säuregehalt).

- 3 Stellen Sie einen Papierfilter (Typ 1x4 oder Nr. 4) oder den Dauerfilter in den Filterkorb, und schließen Sie den Filterkorbbalter.
  - 4 Setzen Sie die leere Kanne in das Gerät ein.
  - 5 Stecken Sie den Netzstecker in eine Steckdose.
  - 6 Drücken Sie den Ein-/Ausschalter, um das Gerät einzuschalten. Das Display leuchtet auf.
  - 7 Drücken Sie die Taste zum Einstellen der Kaffeestärke, und drehen Sie den Drehknopf zur Auswahl der Einstellung (Abb. 11) für gemahlene Kaffee.
  - 8 Drücken Sie zum Bestätigen (Abb. 6) die Mitte des Drehschalters.
  - 9 Drücken Sie die Mitte des Drehknopfes erneut, um den Brühvorgang zu starten.
  - 10 Warten Sie, bis die Hälfte des Essigs in die Kanne geflossen ist. Drücken Sie dann den Ein-/Ausschalter, um den Brühvorgang zu unterbrechen. Lassen Sie den Essig mindestens 15 Minuten lang einwirken.
  - 11 Drücken Sie den Ein-/Ausschalter, um die Kaffeemaschine einzuschalten.
  - 12 Drücken Sie die Mitte des Drehknopfes zweimal, um den Brühvorgang (Abb. 25) abzuschließen.
  - 13 Leeren Sie die Kanne, und entfernen Sie die Filtertüte oder den Dauerfilter mit den Kalkrückständen.
  - 14 Füllen Sie den Wasserbehälter mit frischem, kaltem Wasser, und drücken Sie die Mitte des Drehknopfes zweimal, um einen weiteren Brühvorgang (Abb. 25) zu starten. Lassen Sie die Kaffeemaschine den gesamten Brühvorgang abschließen, und leeren Sie die Kanne.
- Hinweis: Wiederholen Sie bei Bedarf Schritt 14, bis das Wasser, das aus dem Gerät herauskommt, nicht mehr nach Essig schmeckt oder riecht.
- 15 Reinigen Sie den Filterkorb und die Kanne mit heißem Wasser und etwas Spülmittel.
  - 16 Drücken Sie den Ein-/Ausschalter an der Vorderseite des Geräts, um das Gerät (Abb. 21) auszuschalten.

## Bestellen von Zubehör

Um Zubehör oder Ersatzteile zu kaufen, gehen Sie auf [www.shop.philips.com/service](http://www.shop.philips.com/service), oder suchen Sie Ihren Philips Händler auf. Sie können sich auch an ein Philips Service-Center in Ihrem Land wenden. Die Kontaktdaten finden Sie in der internationalen Garantieschrift.

## Garantie und Support

Für Unterstützung und weitere Informationen besuchen Sie die Philips Website unter [www.philips.com/support](http://www.philips.com/support), oder lesen Sie die internationale Garantieschrift.

## Recycling

- Dieses Symbol bedeutet, dass das Produkt nicht mit dem normalen Hausmüll entsorgt werden kann (2012/19/EU) (Abb. 26).
- 1 Altgeräte können kostenlos an geeigneten Rücknahmestellen abgegeben werden.
  - 2 Diese werden dort fachgerecht gesammelt oder zur Wiederverwendung vorbereitet. Altgeräte können Schadstoffe enthalten, die der Umwelt und der menschlichen Gesundheit schaden können. Enthaltene Rohstoffe können durch ihre Wiederverwertung einen Beitrag zum Umweltschutz leisten.
  - 3 Die Löschung personenbezogener Daten auf den zu entsorgenden Altgeräten muss vom Endnutzer eigenverantwortlich vorgenommen werden.

## 32 Deutsch

- 4 Hinweise für Verbraucher in Deutschland: Die in Punkt 1 genannte Rückgabe ist gesetzlich vorgeschrieben. Sammel- und Rücknahmestellen in Deutschland: <https://www.stiftung-ear.de/>

# Fehlerbehebung

In diesem Kapitel sind die häufigsten Probleme aufgeführt, die beim Gebrauch des Geräts auftreten können. Sollten Sie ein Problem mithilfe der nachstehenden Informationen nicht beheben können, besuchen Sie unsere Website unter: [www.philips.com/support](http://www.philips.com/support) und ziehen Sie die Liste „Häufig gestellte Fragen“ hinzu, oder wenden Sie sich an das Philips Consumer Care-Center in Ihrem Land.

<b>Problem</b>	<b>Lösung</b>
Das Gerät funktioniert nicht.	Stecken Sie den Netzstecker in die Steckdose, und drücken Sie den Ein-/Ausschalter, um das Gerät einzuschalten.
	Prüfen Sie, ob die Spannungsangabe auf dem Gerät mit der örtlichen Netzspannung übereinstimmt.
	Füllen Sie den Wasserbehälter mit Wasser.
	Schließen Sie den Deckel des Mahlwerktrichters.
Das Mahlwerk funktioniert nicht oder nicht ordnungsgemäß.	Vergewissern Sie sich, dass Sie nicht vorgemahlene Kaffee ausgewählt haben. Wenn das Symbol für vorgemahlene Kaffee auf dem Display angezeigt wird, haben Sie vorgemahlene Kaffee ausgewählt.
	Reinigen Sie den Trichter des Mahlwerks gemäß den Anweisungen.
Wenn ich das Mahlwerk verwende, ist der Kaffee zu schwach.	Vergewissern Sie sich, dass die richtige Menge Wasser für die ausgewählte Anzahl an Tassen im Wasserbehälter zur Verfügung steht. Denken Sie daran, dass die Kaffeemaschine das gesamte Wasser im Wasserbehälter verbraucht.
	Verwenden Sie die Stärketaste, um die Kaffeestärke auf "stark" einzustellen.
	Verwenden Sie eine stärkere Kaffeesorte mit mehr Aroma.
Wenn ich gemahlene Kaffee verwende, ist der Kaffee zu schwach.	Achten Sie darauf, dass die Menge des gemahlene Kaffees im Filter für die Wassermenge im Wasserbehälter geeignet ist. Denken Sie daran, dass das Gerät das gesamte Wasser im Wasserbehälter verbraucht.
	Verwenden Sie eine stärkere Sorte gemahlene Kaffees mit mehr Aroma.
	Um die Kaffeestärke zu erhöhen, verwenden Sie mehr gemahlene Kaffee oder weniger Wasser.
Der Filter läuft über, wenn ich die Kanne während des Brühvorgangs aus dem Gerät nehme.	Wenn Sie die Kanne während des Brühvorgangs länger als 20 Sekunden herausnehmen, verursacht die Tropf-Stopp-Funktion ein Überlaufen des Filterkorbs. Beachten Sie auch, dass der Kaffee erst zum Ende des Brühvorgangs sein volles Aroma erreicht. Daher empfehlen wir Ihnen, die Kanne zu entfernen und den Kaffee nicht vor dem Ende des Brühvorgangs einzuschenken.
Das Gerät tropft noch eine Weile nach Ablauf des Brühvorgangs.	Das Tropfen wird durch die Kondensation von Dampf verursacht. Es ist vollkommen normal, dass das Gerät eine Weile tropft.



Wenn das Tropfen nicht aufhört, ist möglicherweise der Tropf-Stopp verstopft. Um den Tropf-Stopp zu reinigen, öffnen Sie den Filterkorbhalter, und nehmen Sie den Filterkorb heraus. Spülen Sie den Filterkorb und die Abtropfschale unter fließendem Wasser ab.

---

Der Kaffee ist nicht heiß genug.

Der Kaffee in der Kanne kühlt schneller ab, wenn Sie nur wenige Tassen zubereiten. Der Kaffee bleibt länger heiß, wenn Sie 10 Tassen zubereiten, also eine volle Kanne.

---

Entkalken Sie das Gerät.

---

Das Gerät beginnt nicht mit dem Reinigen des Mahlwerktrichters.

Prüfen Sie, ob das Gerät tatsächlich mit dem Stromnetz verbunden ist.

---

Öffnen Sie den Deckel des Mahlwerktrichters, bevor Sie die Taste zur Einstellung der Kaffeestärke drücken und gedrückt halten.

---

Halten Sie die Taste zur Einstellung der Kaffeestärke 4 Sekunden gedrückt, bis die Mühle beginnt, sich zu reinigen.

---

Das Gerät funktioniert nicht, aber es gibt Signaltöne aus.

Vergewissern Sie sich, dass der Deckel des Mahlwerktrichters ordnungsgemäß geschlossen ist.

---

Die Kaffeebohnen scheinen zu schnell aufgebraucht zu werden.

Um eine perfekte Tasse Kaffee zuzubereiten, benötigt das Gerät eine bestimmte Menge an gemahlenem Kaffee. Die Menge an Kaffeebohnen, mit der das Gerät die optimale Menge gemahlene Kaffees pro Tasse erhält, ist normal.

---

## Introduction

Félicitations pour votre achat et bienvenue dans l'univers Philips ! Pour profiter pleinement de l'assistance offerte par Philips, enregistrez votre produit à l'adresse suivante :

[www.philips.com/welcome](http://www.philips.com/welcome).

## Description générale (fig. 1)

- 1 Porte-filtre
- 2 Système stop-goutte
- 3 Support pour porte-filtre
- 4 Indicateur de niveau d'eau
- 5 Couvercle du réservoir d'eau
- 6 Couvercle du bac à grains de café
- 7 Sélecteur du bac à grains de café
- 8 Sélecteur de mouture
- 9 Double bac à grains de café frais
- 10 Couvercle de l'entonnoir du moulin
- 11 Verrou du couvercle de l'entonnoir du moulin
- 12 Orifice de remplissage d'eau
- 13 Afficheur
- 14 Bouton marche/arrêt
- 15 Icône de mouture du café
- 16 Nombre de tasses
- 17 Icône de tasse à café
- 18 Icône de sélection de l'intensité
- 19 Bouton de sélection de l'intensité
- 20 Bouton du programmeur
- 21 Bouton de commande
- 22 Indicateur de l'heure
- 23 Icône du minuteur
- 24 Couvercle de la verseuse en verre
- 25 Verseuse en verre
- 26 Brosse de nettoyage du bac à grains

## Important

### Danger

- Ne plongez jamais l'appareil dans l'eau, ni dans d'autres liquides et ne le rincez pas sous le robinet.

### Avertissement

- Avant de brancher l'appareil, vérifiez que la tension indiquée sur l'appareil correspond à la tension supportée par le secteur local.
- N'utilisez jamais l'appareil si la prise, le cordon d'alimentation ou l'appareil lui-même est endommagé.

- Si le cordon d'alimentation est endommagé, il doit être remplacé par Philips, par un Centre Service Agréé Philips ou par un technicien qualifié afin d'éviter tout accident.
- Branchez l'appareil sur une prise murale mise à la terre.
- Cet appareil peut être utilisé par des enfants âgés de 8 ans ou plus, des personnes dont les capacités physiques, sensorielles ou intellectuelles sont réduites ou des personnes manquant d'expérience et de connaissances, à condition que ces enfants ou personnes soient sous surveillance ou qu'ils aient reçu des instructions quant à l'utilisation sécurisée de l'appareil et qu'ils aient pris connaissance des dangers encourus. Le nettoyage et l'entretien ne peuvent pas être réalisés par des enfants sauf s'ils sont âgés de plus de 8 ans et sous surveillance. Tenez l'appareil et son cordon hors de portée des enfants de moins de 8 ans.
- Les enfants ne doivent pas jouer avec l'appareil.
- Pour éviter tout risque ou blessure, n'utilisez pas cet appareil à d'autres fins que celles pour lesquelles il a été conçu.
- Ne laissez pas le cordon pendre de la table ou du plan de travail sur lequel l'appareil est posé.
- Ne touchez pas aux meules de l'appareil, surtout lorsque ce dernier est branché.
- Ne touchez pas les surfaces chaudes de l'appareil pendant son fonctionnement.
- Ne videz pas le réservoir d'eau en inclinant l'appareil, vous risqueriez d'endommager ce dernier. Pour vider l'appareil, suivez les instructions de rinçage (voir 'Rinçage de l'appareil').
- Si vous ne parvenez pas à résoudre un problème à l'aide de ce mode d'emploi, contactez le Service Consommateurs Philips de votre pays. Si le problème persiste, confiez votre appareil à un Centre Service Agréé Philips pour vérification ou réparation. N'essayez jamais de réparer l'appareil vous-même, toute intervention entraîne l'annulation de votre garantie.

## Attention

- Ne posez jamais l'appareil sur une surface chaude et veillez à ce que le cordon d'alimentation ne soit pas en contact avec des surfaces chaudes.
- Ne placez pas la cafetière dans une armoire pendant son utilisation.
- Débranchez toujours l'appareil en cas de problème lors de son fonctionnement et avant de le nettoyer.
- Ne mouillez pas le cordon d'alimentation et la prise secteur.
- Ne soulevez pas et ne déplacez pas l'appareil en cours d'utilisation.
- La verseuse devient très chaude pendant et après la préparation du café Tenez-la toujours par la poignée.
- Ne mettez jamais la verseuse au four à micro-ondes.
- Attendez que l'appareil ait refroidi avant de le ranger. La plaque chauffante et la verseuse risquent d'être encore brûlantes.
- Une fois l'appareil déballé, vérifiez qu'il n'est pas endommagé et qu'il ne manque aucune pièce. En cas de doute, n'utilisez pas l'appareil et contactez le Service Consommateurs Philips de votre pays.
- Cette machine est uniquement destinée à un usage domestique normal. Elle ne peut être utilisée dans des environnements tels que des cuisines réservées aux employés dans les entreprises, magasins, fermes et autres environnements de travail.

## Champs électromagnétiques (CEM)

Cet appareil Philips est conforme à toutes les normes et à tous les règlements applicables relatifs à l'exposition aux champs électromagnétiques.

## Avant la première utilisation

### Réglage de l'horloge

- 1 Branchez le cordon d'alimentation sur la prise secteur. L'indicateur de l'horloge de l'afficheur clignote pour vous signaler que vous devez régler l'horloge (Fig. 2).
- 2 Tournez le bouton de commande pour régler l'horloge. L'indicateur d'heure clignote (Fig. 3).
- 3 Appuyez au centre du bouton de commande pour confirmer l'heure.

- 4 Les minutes commencent à clignoter pour indiquer que vous devez régler les minutes (Fig. 4).
- 5 Tournez le bouton de commande pour régler les minutes (Fig. 5).
- 6 Appuyez au centre du bouton de commande pour confirmer les minutes (Fig. 6).
- 7 L'heure définie apparaît sur l'afficheur. La cafetière est prête à l'emploi.

## Réglage de la durée avant arrêt automatique

Vous pouvez choisir la durée pendant laquelle vous souhaitez que votre appareil reste allumé afin de garder votre café chaud après sa préparation. La durée par défaut avant arrêt automatique est de 30 minutes. La durée maximale avant arrêt automatique est de 120 minutes. Pour régler la durée avant arrêt automatique, suivez les instructions ci-dessous.

- 1 Assurez-vous que l'appareil est éteint, mais que le cordon d'alimentation est branché sur la prise murale.
- 2 Appuyez au centre du bouton de commande jusqu'à ce que l'afficheur commence à clignoter.
- 3 Tournez le bouton de commande pour augmenter ou diminuer la durée. 1 correspond à 10 minutes, 2 correspond à 20 minutes, 3 correspond à 30 minutes, et ainsi de suite jusqu'à 12, qui correspond à 120 minutes.
- 4 Appuyez au centre du bouton de commande pour confirmer la durée avant arrêt automatique.

Remarque : L'appareil enregistre toujours le dernier réglage sélectionné.

## Rinçage de l'appareil

Rincez toujours la cafetière avant sa première utilisation.

- 1 Ouvrez le couvercle du réservoir d'eau. Remplissez le réservoir avec de l'eau froide, jusqu'à l'indication correspondant à 8 tasses (Fig. 7).

Remarque : Ne versez pas de café moulu ni de grains de café dans le réservoir d'eau.

- 2 Fermez le couvercle du réservoir d'eau.
- 3 Placez la verseuse dans l'appareil (Fig. 8).
- 4 Appuyez sur le bouton marche/arrêt (Fig. 9). L'afficheur s'allume et l'appareil émet un signal sonore.
- 5 Appuyez sur le bouton de sélection de l'intensité (Fig. 10).
- 6 Tournez le bouton de commande pour choisir le niveau de mouture (Fig. 11). L'icône de mouture du café commence à clignoter.
- 7 Appuyez au centre du bouton de commande pour confirmer.
- 8 Appuyez à nouveau au centre du bouton de commande. L'appareil commence le processus de rinçage.
- 9 Laissez l'appareil fonctionner jusqu'à ce que le processus de rinçage soit terminé. Il est terminé lorsque l'appareil cesse d'émettre le signal sonore.
- 10 Videz la verseuse.
- 11 Éteignez l'appareil en appuyant sur le bouton marche/arrêt.

## Utilisation de l'appareil

### Remplissage du réservoir d'eau

Vous trouverez sur l'indicateur du niveau d'eau des indications de quantité pour préparer entre 2 et 10 tasses (de 27,5 cl à 137,5 cl). Vous pouvez les utiliser pour déterminer la quantité d'eau à mettre dans le réservoir. Le reflet passe de clair à foncé par tasse d'eau ajoutée.

## 38 Français

- 1 Ouvrez le couvercle du réservoir d'eau et remplissez le réservoir avec la quantité d'eau froide requise (Fig. 7).

Remarque : Ne remplissez pas le réservoir d'eau au-delà de l'indication correspondant à 10 tasses.

Remarque : Assurez-vous que la quantité d'eau que vous avez versée dans le réservoir d'eau correspond au nombre de tasses que vous voulez préparer. La cafetière utilise toute l'eau du réservoir d'eau.

## Utilisation avec des grains de café

**Avertissement : Veillez à ce que le couvercle du réservoir d'eau soit toujours fermé lorsque vous remplissez le bac à grains. Dans le cas contraire, les grains de café risquent de tomber dans le réservoir d'eau et de bloquer l'orifice de remplissage.**

- 1 Ouvrez le couvercle du bac à grains de café (Fig. 12).
- 2 Remplissez le double bac de grains de café frais. Vous pouvez remplir double bac avec deux types de grains de café. Assurez-vous que le double bac contient assez de grains pour la quantité de café que vous voulez préparer (Fig. 13).

Remarque : Vérifiez à chaque utilisation que le double bac à grains est au moins à moitié rempli.

**Avertissement : N'utilisez pas de grains de café caramélisés ou non torréfiés, cela risquerait d'entraver le bon fonctionnement du moulin. Utilisez des grains de café au lieu de grains de café expresso, car ces derniers risquent d'endommager le moulin à café.**

- 3 Ouvrez le support pour porte-filtre (Fig. 14).
- 4 Placez un filtre en papier (1x4 ou n° 4) ou le filtre permanent dans le porte-filtre (Fig. 15).
- 5 Fermez le support du porte-filtre.
- 6 Tournez le sélecteur de mouture pour sélectionner le type de mouture souhaité (de fin à épais). L'appareil propose neuf niveaux de moutures (Fig. 16).

Conseil : Le sélecteur de mouture vous permet de choisir entre neuf moutures différentes. Les icônes indiquent les trois moutures optimales, mais vous pouvez choisir une mouture intermédiaire. Nous vous conseillons d'essayer différents niveaux de mouture pour trouver celui que vous préférez.

- 7 Tournez le sélecteur de bac pour choisir l'un des deux bacs.

Remarque : Quand vous changez de bac ou de grains de café, il reste toujours des traces de café du précédent type de grains de café. Pour éviter cela, nettoyez l'entonnoir du moulin lorsque vous changez de type de grains de café.

- 8 Appuyez sur le bouton de sélection de l'intensité (Fig. 10). Les icônes de grain de café commencent à clignoter.
- 9 Tournez le bouton de commande pour sélectionner l'intensité du café souhaitée : 1 grain pour du café doux, 2 grains pour du café moyennement fort ou 3 grains pour du café fort.
- 10 Appuyez au centre du bouton de commande pour confirmer l'intensité (Fig. 6).
- 11 Pour sélectionner le nombre de tasses, tournez le bouton de commande jusqu'à ce que le nombre de tasses souhaité clignote sur l'afficheur.

Remarque : Notez que la cafetière utilise toute l'eau du réservoir d'eau. Si vous sélectionnez un nombre de tasses inférieur à la quantité d'eau, le café sera plus doux que prévu.

- 12 Appuyez au centre du bouton de commande pour confirmer le nombre de tasses (Fig. 6).

- 13 Appuyez à nouveau au centre du bouton de commande. L'appareil émet un signal sonore et commence à moulinner la quantité requise de grains de café. Lorsque le café est moulu, la préparation du café commence.
- 14 Attendez que le signal sonore émis par la cafetière cesse avant de retirer la verseuse.

Remarque : Une fois la préparation terminée, le café continue de s'écouler du porte-filtre pendant quelques secondes.

- 15 L'appareil garde votre café chaud jusqu'à ce qu'il s'éteigne automatiquement. Si vous n'avez pas besoin que votre cafetière garde votre café chaud, appuyez sur le bouton marche/arrêt pour éteindre l'appareil.

## Utilisation avec du café moulu

Si vous souhaitez utiliser du café moulu et non des grains de café, suivez les instructions ci-dessous.

- 1 Ouvrez le couvercle du réservoir d'eau et remplissez le réservoir avec la quantité d'eau froide requise (Fig. 7).
- 2 Ouvrez le support pour porte-filtre (Fig. 14).
- 3 Placez un filtre en papier (1x4 ou n° 4) ou le filtre permanent dans le porte-filtre.
- 4 Versez le café moulu dans le filtre en papier ou le filtre permanent.
- 5 Fermez le support du porte-filtre.
- 6 Placez la verseuse dans l'appareil (Fig. 8).
- 7 Appuyez sur le bouton marche/arrêt (Fig. 9). L'afficheur s'allume.
- 8 Appuyez sur le bouton de sélection de l'intensité (Fig. 10).
- 9 Tournez le bouton de commande pour choisir le niveau de mouture (Fig. 11). L'icône de mouture du café s'allume.
- 10 Appuyez au centre du bouton de commande pour confirmer (Fig. 6).
- 11 Puis, appuyez à nouveau au centre du bouton de commande pour commencer la préparation du café (Fig. 6).
- 12 Attendez que le signal sonore émis par la cafetière cesse avant de retirer la verseuse.

Remarque : Une fois la préparation terminée, le café continue de s'écouler du porte-filtre pendant quelques secondes.

- 13 L'appareil garde votre café chaud jusqu'à ce qu'il s'éteigne automatiquement. Si vous n'avez pas besoin que votre cafetière garde votre café chaud, appuyez sur le bouton marche/arrêt pour éteindre l'appareil.

## Réglage du minuteur

Le minuteur vous permet de programmer l'heure à laquelle vous souhaitez que le cycle de préparation du café débute. Que vous utilisiez du café moulu ou du café en grains, assurez-vous d'effectuer toutes les étapes de préparation du café avant de régler le minuteur.

- 1 Appuyez sur le bouton du minuteur (Fig. 17). L'indicateur d'heure clignote pour indiquer que vous devez régler l'heure.
- 2 Tournez le bouton pour régler l'heure (Fig. 18).
- 3 Appuyez au centre du bouton de commande pour confirmer l'heure. Les minutes commencent à clignoter pour indiquer que vous devez régler les minutes.
- 4 Tournez le bouton de commande pour régler les minutes (Fig. 19).
- 5 Appuyez au centre du bouton pour confirmer les minutes et l'heure (Fig. 21). Le minuteur est maintenant réglé et le cycle de préparation commencera à l'heure programmée.

## Fonction stop-goutte

La fonction stop-goutte vous permet de retirer la verseuse de la cafetière avant que le cycle de préparation ne soit fini. Lorsque vous retirez la verseuse, le système stop-goutte empêche le café de s'écouler.

Remarque : Le cycle de préparation ne s'arrête pas lorsque vous retirez la verseuse. Si vous n'avez pas remis la verseuse dans l'appareil au bout de 20 secondes, le porte-filtre déborde.

## Nettoyage et entretien

### Nettoyage après chaque utilisation

**Ne plongez jamais l'appareil dans l'eau, ni dans d'autres liquides et ne le rincez pas sous le robinet.**

- 1 Retirez le cordon d'alimentation de la prise secteur.
- 2 Essuyez l'extérieur de la cafetière à l'aide d'un chiffon humide.
- 3 Nettoyez le porte-filtre et le filtre permanent à l'eau chaude savonneuse ou au lave-vaisselle.

### Nettoyage de l'entonnoir du moulin

**Important : Nettoyez l'entonnoir du moulin toutes les 1 à 2 semaines pour éviter toute accumulation de café moulu. Pour nettoyer l'entonnoir facilement et rapidement, suivez les instructions ci-dessous.**

Remarque : Assurez-vous que le bac à grains de café est vide avant de commencer la procédure de nettoyage.

- 1 Éteignez l'appareil en appuyant sur le bouton marche/arrêt (Fig. 21).
- 2 Ouvrez le support pour porte-filtre (Fig. 14).
- 3 Placez un filtre en papier (1x4 ou n° 4) ou le filtre permanent dans le porte-filtre (Fig. 15).
- 4 Fermez le support du porte-filtre.
- 5 Utilisez l'extrémité de la brosse de nettoyage du bac à grains pour ouvrir le couvercle de l'entonnoir du moulin (Fig. 22).
- 6 Maintenez le bouton de sélection d'intensité enfoncé pendant 4 secondes (Fig. 23). Le nettoyage du moulin commence.
- 7 Lorsque le nettoyage du moulin est terminé, utilisez la brosse de nettoyage du bac à grains pour faire tomber les résidus de café moulu dans la partie basse de l'entonnoir (Fig. 24). Les résidus de café moulu tombent dans le porte-filtre.
- 8 Fermez le couvercle de l'entonnoir du moulin.
- 9 Enlevez le filtre en papier ou le filtre permanent et les résidus de café moulu.

### Détartrage de la machine à café

En cas d'émission excessive de vapeur ou d'augmentation du temps de préparation du café, procédez à des détartrages plus fréquents. Il est conseillé de détartrer la cafetière tous les deux mois. Utilisez uniquement du vinaigre blanc pour détartrer, car les autres produits risquent d'endommager la cafetière. Pour obtenir plus d'informations sur le détartrage, consultez le site [www.philips.com/descale-coffeemaker](http://www.philips.com/descale-coffeemaker).



**Avertissement : Afin d'éviter tout dommage, n'utilisez jamais de vinaigre blanc (à teneur en acide acétique supérieure ou égale à 8 %), de vinaigre naturel, de détartrant en poudre ou en tablette pour détartrer l'appareil.**

- 1 Ouvrez le couvercle du réservoir d'eau.
- 2 Remplissez le réservoir d'eau jusqu'à l'indication correspondant à 10 tasses avec du vinaigre blanc (4 % d'acide acétique).
- 3 Placez un filtre en papier (1 x 4 ou n° 4) ou le filtre permanent dans le porte-filtre, puis fermez le support pour porte-filtre.
- 4 Placez la verseuse vide dans l'appareil.
- 5 Branchez le cordon d'alimentation sur la prise secteur.
- 6 Mettez l'appareil en marche en appuyant sur le bouton marche/arrêt. L'afficheur s'allume.
- 7 Appuyez sur le bouton de sélection de l'intensité et tournez le bouton de commande pour choisir le niveau de mouture (Fig. 11).
- 8 Appuyez au centre du bouton de commande pour confirmer (Fig. 6).
- 9 Appuyez à nouveau au centre du bouton de commande pour commencer la préparation du café.
- 10 Patientez jusqu'à ce que la moitié du vinaigre se soit écoulée dans la verseuse. Puis, appuyez sur le bouton marche/arrêt pour interrompre le cycle de préparation. Laissez le vinaigre agir pendant au moins 15 minutes.
- 11 Rallumez la cafetière en appuyant sur le bouton marche/arrêt.
- 12 Appuyez deux fois au centre du bouton de commande pour laisser l'appareil terminer le cycle de préparation (Fig. 25).
- 13 Videz la verseuse et retirez le filtre en papier ou le filtre permanent et les résidus de calcaire.
- 14 Remplissez le réservoir d'eau avec de l'eau froide et appuyez deux fois au centre du bouton de commande pour commencer un nouveau cycle de préparation (Fig. 25). Laissez la cafetière terminer le cycle de préparation et videz la verseuse.

Remarque : Si nécessaire, répétez l'étape 14 jusqu'à ce que l'eau s'écoulant de l'appareil n'ait plus le goût ni l'odeur du vinaigre.

- 15 Nettoyez le porte-filtre et la verseuse à l'eau chaude, avec un peu de liquide vaisselle.
- 16 Appuyez sur le bouton marche/arrêt sur le devant de l'appareil pour l'éteindre (Fig. 21).

## Commande d'accessoires

Pour acheter des accessoires ou des pièces de rechange, consultez le site Web [www.shop.philips.com/service](http://www.shop.philips.com/service) ou rendez-vous chez votre revendeur Philips. Vous pouvez également communiquer avec le Service Consommateurs Philips de votre pays (consultez le dépliant de garantie internationale pour obtenir les coordonnées).

## Garantie et assistance

Si vous avez besoin d'une assistance ou d'informations supplémentaires, consultez le site Web [www.philips.com/support](http://www.philips.com/support) ou lisez le dépliant sur la garantie internationale.

## Recyclage

- Ce symbole signifie que ce produit ne doit pas être jeté avec les déchets ménagers (2012/19/EU) (Fig. 26).

## 42 Français

- Respectez les réglementations de votre pays concernant la collecte séparée des appareils électriques et électroniques. La mise au rebut appropriée des piles permet de protéger l'environnement et la santé.

# Dépannage

Cette rubrique récapitule les problèmes les plus courants que vous pouvez rencontrer avec l'appareil. Si vous ne parvenez pas à résoudre le problème à l'aide des informations ci-dessous, rendez-vous sur le site [www.philips.com/support](http://www.philips.com/support) et consultez la liste de questions fréquemment posées ou contactez le Service Consommateurs Philips de votre pays.

Problème	Solution
L'appareil ne fonctionne pas.	Branchez le cordon d'alimentation sur une prise secteur, puis appuyez sur le bouton marche/arrêt pour allumer l'appareil.  Assurez-vous que la tension indiquée sur l'appareil correspond bien à la tension secteur locale.  Remplissez le réservoir d'eau.  Fermez le couvercle de l'entonnoir du moulin.
Le moulin à café ne fonctionne pas ou ne fonctionne pas correctement.	Assurez-vous que vous n'avez pas sélectionné l'option de café moulu. Si le symbole de mouture du café est visible sur l'afficheur, vous avez sélectionné l'option de café moulu.  Nettoyez l'entonnoir du moulin en suivant les instructions.
Lorsque j'utilise le moulin, le café est trop léger.	Assurez-vous que le nombre de tasses sélectionné correspond à la quantité d'eau dans le réservoir. Notez que la cafetière utilise toute l'eau du réservoir d'eau.  Réglez le bouton de sélection de l'intensité sur « strong » (fort).  Utilisez des grains de café à l'arôme plus intense ou au goût plus fort.
Lorsque j'utilise du café moulu, le café est trop léger.	Assurez-vous que la quantité de café moulu dans le filtre correspond à la quantité d'eau dans le réservoir d'eau. Notez que l'appareil utilise toute l'eau du réservoir d'eau.  Utilisez un café moulu à l'arôme plus intense ou au goût plus fort.  Pour plus d'intensité, augmentez la quantité de café moulu ou diminuez la quantité d'eau.
Le filtre déborde lorsque je retire la verseuse au cours de la préparation.	Si vous retirez la verseuse pendant plus de 20 secondes pendant le cycle de préparation du café, le système stop-goutte risque de faire déborder le porte-filtre. Notez également que le café prend tout son arôme uniquement à la fin d'un cycle complet. Nous vous conseillons donc de ne pas retirer la verseuse et de ne pas servir le café tant que le cycle de préparation n'est pas terminé.
L'appareil continue à goûter, longtemps après la fin du cycle de préparation du café.	Cela est dû à la condensation de la vapeur. Il est tout à fait normal que l'appareil goutte pendant un certain temps.

Si l'appareil ne s'arrête pas de goutter, le système anti-goutte est peut-être obstrué. Pour nettoyer le système anti-goutte, ouvrez le support pour porte-filtre et retirez le porte-filtre. Rincez le porte-filtre et le système stop-goutte sous le robinet.

Le café n'est pas assez chaud.

Le café dans la verseuse refroidit plus rapidement si vous préparez seulement quelques tasses. Le café reste chaud plus longtemps si vous préparez 10 tasses, ce qui correspond à une verseuse pleine.

Détartez l'appareil.

L'appareil ne lance pas le nettoyage de l'entonnoir du moulin.

Assurez-vous que l'appareil est branché.

Ouvrez le couvercle de l'entonnoir du moulin avant d'appuyer sur le bouton de sélection d'intensité du café.

Maintenez enfoncé le bouton de sélection d'intensité pendant 4 secondes jusqu'à ce que le moulin commence le nettoyage.

L'appareil fonctionne, mais émet un signal sonore.

Vérifiez que le couvercle de l'entonnoir du moulin est correctement fermé.

Les grains de café semblent avoir été utilisés rapidement.

Pour préparer une tasse de café parfaite, l'appareil a besoin d'une certaine quantité de café moulu. La quantité de grains de café qu'utilise l'appareil pour obtenir la quantité optimale de café moulu par tasse est normale.

## Introduzione

Congratulazioni per l'acquisto e benvenuti in Philips! Per trarre il massimo vantaggio dall'assistenza fornita da Philips, registrate il vostro prodotto sul sito [www.philips.com/welcome](http://www.philips.com/welcome).

## Descrizione generale (Fig. 1)

- 1 Cestello del filtro
- 2 Sistema antigoccia
- 3 Portafiltro
- 4 Indicatore del livello dell'acqua
- 5 Coperchio del serbatoio dell'acqua
- 6 Coperchio contenitore caffè in grani
- 7 Selettore contenitore caffè in grani
- 8 Manopola di regolazione della macinatura
- 9 Doppio contenitore grani freschi
- 10 Coperchio del macinacaffè
- 11 Blocco del coperchio del macinacaffè
- 12 Foro di riempimento dell'acqua
- 13 Display
- 14 Pulsante on/off
- 15 Icona del caffè pre-macinato
- 16 Numero di tazze
- 17 Icona della tazza di caffè
- 18 Icona di selezione dell'intensità del caffè
- 19 Pulsante di selezione dell'intensità
- 20 Pulsante del timer
- 21 Manopola di controllo
- 22 Indicazione del tempo
- 23 Icona del timer
- 24 Coperchio della caraffa di vetro
- 25 Caraffa di vetro
- 26 Spazzolino per la pulizia dello scivolo del caffè in grani

## Importante

### Pericolo

- Non immergete l'apparecchio nell'acqua o in altri liquidi e non risciacquatelo sotto l'acqua corrente.

### Avvertenza

- Prima di collegare l'apparecchio, verificate che la tensione riportata sulla spina corrisponda alla tensione disponibile.
- Non utilizzate l'apparecchio se la spina, il cavo di alimentazione o l'apparecchio stesso sono danneggiati.

- Nel caso in cui il cavo di alimentazione fosse danneggiato, dovrà essere sostituito presso i centri autorizzati Philips, i rivenditori specializzati oppure da personale debitamente qualificato, per evitare situazioni pericolose.
- Collegate l'apparecchio a una presa di messa a terra.
- Questo apparecchio può essere usato da bambini di età superiore a 8 anni e da persone con capacità mentali, fisiche o sensoriali ridotte, prive di esperienza o conoscenze adatte, a condizione che tali persone abbiano ricevuto assistenza o formazione per utilizzare l'apparecchio in maniera sicura e capiscano i potenziali pericoli associati a tale uso. La manutenzione e la pulizia possono essere eseguite da bambini purché di età superiore agli 8 anni e in presenza di un adulto. Tenere l'apparecchio e il relativo cavo lontano dalla portata di bambini di età inferiore agli 8 anni.
- Evitate che i bambini giochino con l'apparecchio.
- Utilizzate questo apparecchio solo per lo scopo previsto per evitare rischi o lesioni.
- Assicuratevi che il cavo di alimentazione non penda dal bordo del tavolo o dal piano di lavoro su cui è posizionato l'apparecchio.
- Non toccate i meccanismi di macinatura dell'apparecchio, soprattutto quando l'apparecchio è collegato a una presa di corrente a muro.
- Durante il funzionamento dell'apparecchio non toccate le superfici incandescenti.
- Non svuotate il serbatoio dell'acqua inclinando l'apparecchio onde evitare di danneggiarlo. Per svuotare l'apparecchio, seguite le istruzioni fornite per il lavaggio dell'apparecchio (vedere 'Come lavare l'apparecchio').

- Se si verifica un problema che non riuscite a risolvere con il presente manuale, rivolgetevi al Centro Assistenza Clienti del vostro paese. Se il problema risulta irrisolvibile, rivolgetevi a un centro autorizzato Philips per un controllo ed eventuali riparazioni. Non tentate di riparare l'apparecchio da soli, per evitare di invalidare la garanzia.

## Attenzione

- Non appoggiate l'apparecchio su una superficie calda e fate in modo che il cavo di alimentazione non venga a contatto con superfici incandescenti.
- Non collocare la macchina per caffè in un armadietto durante l'uso.
- Scollegate l'apparecchio dalla presa di corrente se si verificano problemi durante la macinatura o la preparazione del caffè e prima di pulirlo.
- Non bagnate la spina e la presa di corrente a muro.
- Non sollevate o spostate l'apparecchio mentre è in funzione.
- La caraffa è calda durante e dopo l'erogazione. Afferratela sempre per il manico.
- Non utilizzate mai la caraffa nel microonde.
- Lasciate raffreddare l'apparecchio prima di riporlo. La piastra e la caraffa potrebbero essere calde.
- Quando togliete l'apparecchio dalla confezione, controllate che sia integro e che non abbia subito danni. In caso di dubbi, non utilizzatelo ma contattate il Centro Assistenza Clienti del vostro paese.
- Questa macchina è destinata esclusivamente a un uso domestico. Non deve essere utilizzata in ambienti quali cucine dei dipendenti all'interno di punti vendita, uffici, aziende agricole o altri ambienti lavorativi.

## Campi elettromagnetici (EMF)

Questo apparecchio Philips è conforme a tutti gli standard e alle norme relativi all'esposizione ai campi elettromagnetici.

# Primo utilizzo

## Impostazione dell'orologio

- 1 Inserite la spina nella presa di corrente a muro. L'indicatore del tempo lampeggia sul display a indicare che è necessario impostare l'ora (fig. 2).
- 2 Ruotate la manopola di controllo per impostare l'ora. L'indicatore dell'ora lampeggia (fig. 3).
- 3 Premete il centro della manopola di controllo per confermare l'ora.
- 4 L'indicatore dei minuti inizia a lampeggiare a indicare che è necessario impostare i minuti (fig. 4).
- 5 Ruotate la manopola di controllo per impostare i minuti (fig. 5).
- 6 Premete il centro della manopola di controllo per confermare i minuti (fig. 6).
- 7 Sul display viene visualizzata l'ora impostata. La macchina per caffè è pronta per l'uso.

## Impostazione del tempo di spegnimento automatico

Potete decidere per quanto tempo il caffè deve essere mantenuto caldo dopo l'erogazione impostando l'intervallo di tempo trascorso il quale l'apparecchio si spegne automaticamente. Il tempo di spegnimento automatico predefinito è di 30 minuti. Il tempo di spegnimento automatico massimo è di 120 minuti. Per regolare il tempo di spegnimento automatico, seguite le istruzioni riportate di seguito.

- 1 Assicuratevi che l'apparecchio sia spento ma che la spina sia inserita nella presa a muro.
- 2 Premete il centro della manopola di controllo fino a quando il display non inizia a lampeggiare.
- 3 Ruotate la manopola di controllo per aumentare o diminuire il tempo. 1 corrisponde a 10 minuti, 2 a 20 minuti, 3 a 30 minuti e così via fino a 12 che corrisponde a 120 minuti.
- 4 Premete il centro della manopola di controllo per confermare il tempo di spegnimento automatico.

**Nota:** l'apparecchio salva sempre l'ultima impostazione.

## Come lavare l'apparecchio

Lavate sempre la macchina per caffè prima del primo utilizzo.

- 1 Aprite il coperchio del serbatoio dell'acqua. Riempite il serbatoio con acqua fredda pulita fino al livello fino all'indicazione (fig. 7) 8 tazze.

**Nota:** non inserite caffè in grani o caffè pre-macinato nel serbatoio dell'acqua.

- 2 Chiudete il coperchio del serbatoio dell'acqua.
- 3 Posizionate la caraffa nell'apparecchio (fig. 8).
- 4 Premete il pulsante (fig. 9) on/off. Il display si accende e l'apparecchio emette un segnale acustico.
- 5 Premete il pulsante (fig. 10) di selezione dell'intensità.
- 6 Ruotate la manopola di controllo per scegliere l'impostazione (fig. 11) del caffè pre-macinato. L'icona del caffè pre-macinato inizia a lampeggiare.
- 7 Premete il centro della manopola di controllo per confermare.
- 8 Premete nuovamente il centro della manopola di controllo. L'apparecchio avvia il processo di pulizia.
- 9 Lasciate l'apparecchio in funzione finché il processo di pulizia non è terminato. Quando il segnale acustico cessa significa che il processo di pulizia è terminato.
- 10 Svuotate la caraffa.
- 11 Premete il pulsante on/off per spegnere l'apparecchio.

## Modalità d'uso dell'apparecchio

### Riempimento del serbatoio dell'acqua

Sulla finestra del livello dell'acqua sono presenti le indicazioni da 2 a 10 tazze (da 275 ml a 1375 ml). Potete usare queste indicazioni per determinare quanta acqua mettere nel serbatoio. Il colore cambia da chiaro a scuro per ogni tazza di acqua aggiunta.

- 1 Aprite il coperchio del serbatoio dell'acqua e riempite il serbatoio con acqua (fig. 7) fredda nella quantità richiesta.

Nota: non riempite il serbatoio dell'acqua oltre l'indicazione di 10 tazze.

Nota: assicuratevi che la quantità di acqua versata nel serbatoio sia compatibile con il numero di tazze che desiderate preparare. La macchina per caffè utilizza tutta l'acqua presente nel serbatoio.

### Utilizzo di caffè in grani

**Avvertenza: tenete sempre il coperchio del serbatoio dell'acqua chiuso quando riempite il contenitore del caffè in grani. In caso contrario eventuali grani di caffè possono cadere nel serbatoio dell'acqua e bloccare l'ingresso dell'acqua.**

- 1 Aprite il coperchio (fig. 12) del contenitore del caffè in grani.
- 2 Riempite il doppio contenitore di caffè in grani con caffè in grani. Potete riempire i due contenitori con due tipi diversi di caffè in grani. Assicuratevi che la quantità di caffè in grani presente nel doppio contenitore sia sufficiente per la quantità di caffè che si desidera preparare (fig. 13).

Nota: assicuratevi che il doppio contenitore di caffè in grani sia sempre almeno mezzo pieno.

**Avvertenza: per evitare che il macinacaffè si blocchi, non usate grani di caffè non tostati o caramellati. Utilizzate caffè in grani non per espresso, poiché i grani per espresso potrebbero danneggiare il macinacaffè.**

- 3 Aprite il portafiltro (fig. 14).
- 4 Posizionate un filtro di carta (tipo 1 x 4 o n. 4) o il filtro permanente nel cestello (fig. 15) del filtro.
- 5 Chiudete il portafiltro.
- 6 Ruotate la manopola di regolazione della macinatura per selezionare il tipo desiderato (dalla macinatura fine a quella grossolana). Sono disponibili nove impostazioni (fig. 16) di macinatura.

Suggerimento: la manopola di regolazione della macinatura consente di scegliere tra 9 impostazioni diverse. Le icone indicano 3 impostazioni ottimali predefinite, ma potete sceglierne anche altre presenti tra le icone. Vi consigliamo di fare delle prove con le varie impostazioni di macinatura per trovare quella che preferite.

- 7 Ruotate il selettore del contenitore per scegliere il contenitore desiderato.

Nota: quando si cambia il contenitore di caffè in grani o il tipo di chicchi di caffè, è probabile che rimangano residui lasciati dalla macinatura precedente o dal caffè in grani precedentemente utilizzato. Per evitare che ciò accada, pulite il macinacaffè quando iniziate a utilizzare un nuovo tipo di caffè in grani.

- 8 Premete il pulsante dell'intensità (fig. 10). Le icone del caffè in grani iniziano a lampeggiare.
- 9 Ruotate la manopola di controllo per selezionare l'intensità del caffè desiderata: 1 chicco per un caffè leggero, 2 chicchi per un caffè medio-forte o 3 chicchi per un caffè forte.
- 10 Premete il centro della manopola di controllo per confermare l'intensità (fig. 6).



- 11** Per selezionare il numero di tazze, ruotate la manopola di controllo finché il numero di tazze desiderato non lampeggia sul display.

Nota: tenete presente che la macchina per caffè utilizza tutta l'acqua presente nel serbatoio. Se selezionate un numero di tazze inferiore alla quantità di acqua, il caffè sarà meno intenso di quanto richiesto.

- 12** Premete il centro della manopola di controllo per confermare il numero di tazze (fig. 6).  
**13** Premete nuovamente il centro della manopola di controllo. L'apparecchio emette un segnale acustico e inizia a macinare la quantità di caffè in grani richiesta. Quando il processo di macinatura è terminato, l'apparecchio inizia a erogare il caffè.  
**14** Prima di rimuovere la caraffa attendete finché la macchina non emette più alcun segnale acustico.

Nota: dopo l'erogazione, il caffè gocciola dal cestello del filtro per diversi secondi.

- 15** L'apparecchio mantiene caldo il caffè finché non si spegne automaticamente. Se non è necessario che il caffè venga mantenuto caldo, premete il pulsante on/off per spegnere l'apparecchio.

## Utilizzo di caffè pre-macinato

Se volete usare caffè pre-macinato anziché caffè in grani, seguite le istruzioni riportate di seguito.

- 1** Aprite il coperchio del serbatoio dell'acqua e riempite il serbatoio con acqua (fig. 7) fredda nella quantità richiesta.
- 2** Aprite il portafiltro (fig. 14).
- 3** Posizionate un filtro di carta (tipo 1 x 4 o n. 4) o il filtro permanente nel cestello del filtro.
- 4** Mettete il caffè pre-macinato nel filtro di carta o nel filtro permanente.
- 5** Chiudete il portafiltro.
- 6** Posizionate la caraffa nell'apparecchio (fig. 8).
- 7** Premete il pulsante on/off (fig. 9). Il display si accende.
- 8** Premete il pulsante di selezione dell'intensità (fig. 10).
- 9** Ruotate la manopola di controllo per scegliere l'impostazione del caffè pre-macinato (fig. 11). L'icona del caffè pre-macinato si accende.
- 10** Premete il centro della manopola di controllo per confermare (fig. 6).
- 11** Premete nuovamente il centro della manopola di controllo per avviare il processo di erogazione (fig. 6).
- 12** Prima di rimuovere la caraffa attendete finché la macchina non emette più alcun segnale acustico.

Nota: dopo l'erogazione, il caffè gocciola dal cestello del filtro per diversi secondi.

- 13** L'apparecchio mantiene caldo il caffè finché non si spegne automaticamente. Se non è necessario che il caffè venga mantenuto caldo, premete il pulsante on/off per spegnere l'apparecchio.

## Impostazione del timer

Il timer consente di programmare l'orario desiderato per l'inizio dell'erogazione. Assicuratevi che tutte le fasi di preparazione del caffè con caffè premacinato o caffè in grani siano state svolte prima di impostare il timer.

- 1** Premete il pulsante del timer (fig. 17). L'indicatore dell'ora lampeggia a indicare che è necessario impostare l'ora.
- 2** Ruotate la manopola per impostare l'ora (fig. 18).
- 3** Premete il centro della manopola di controllo per confermare l'ora. I minuti iniziano a lampeggiare a indicare che è necessario impostarli.
- 4** Ruotate la manopola di controllo per impostare i minuti (fig. 19).
- 5** Premete il centro della manopola per confermare i minuti e il tempo impostato (fig. 21). Il timer viene impostato e il processo di erogazione del caffè inizierà all'ora scelta.

## Funzione antigoccia

Il sistema antigoccia vi consente di rimuovere la caraffa dalla macchina per caffè prima che il processo di erogazione sia terminato. Quando rimuovete la caraffa, il sistema antigoccia interrompe il flusso di caffè al suo interno.

Nota: il processo di erogazione non si interrompe quando viene rimossa la caraffa. Se non inserite nuovamente la caraffa nell'apparecchio entro 20 secondi, il caffè fuoriesce dal cestello del filtro.

## Pulizia e manutenzione

### Pulizia dopo ogni utilizzo

**Non immergete l'apparecchio nell'acqua o in altri liquidi e non risciacquatelo sotto l'acqua corrente.**

- 1 Scollegate la spina dalla presa a muro.
- 2 Pulite con un panno umido la superficie esterna della macchina per caffè.
- 3 Pulite il cestello del filtro e il filtro permanente con acqua calda e del liquido per piatti oppure puliteli in lavastoviglie.

### Pulizia del macinacaffè

**Importante: pulite il macinacaffè ogni 1-2 settimane per prevenire l'ostruzione con caffè macinato. Tale operazione può essere eseguita in modo facile e veloce attenendosi alle istruzioni riportate di seguito.**

Nota: assicuratevi che il contenitore del caffè in grani sia vuoto prima di iniziare la pulizia.

- 1 Premete il pulsante on/off per spegnere l'apparecchio (fig. 21).
- 2 Aprite il portafiltro (fig. 14).
- 3 Posizionate un filtro di carta (tipo 1 x 4 o n. 4) o il filtro permanente nel cestello (fig. 15) del filtro.
- 4 Chiudete il portafiltro.
- 5 Utilizzate l'estremità dello spazzolino per la pulizia dello scivolo del caffè in grani per aprire il coperchio del macinacaffè (fig. 22).
- 6 Tenete premuto il pulsante di selezione dell'intensità per 4 secondi (fig. 23). Il macinacaffè avvia la pulizia automatica.
- 7 Quando il macinacaffè ha terminato la pulizia, usate l'apposito spazzolino per rimuovere i residui di caffè macinato nella parte inferiore dello scivolo (fig. 24). I residui di caffè macinato cadono nel cestello del filtro.
- 8 Chiudete il coperchio del macinacaffè.
- 9 Rimuovete il filtro di carta o il filtro permanente con i residui di caffè macinato.

### Pulizia anticalcare

Se la macchina per caffè emette vapore in eccesso o ha un tempo di erogazione prolungato, eseguite la pulizia anticalcare. Si consiglia di eseguire la pulizia anticalcare ogni due mesi. Per la decalcificazione utilizzate solo aceto bianco, poiché gli altri prodotti potrebbero causare danni all'apparecchio. Per ulteriori informazioni sulla rimozione del calcare, consultate il sito [www.philips.com/descale-coffeemaker](http://www.philips.com/descale-coffeemaker).

**Avvertenza: Non utilizzate mai aceto con un contenuto pari o superiore all'8% di acido acetico, aceto naturale, anticalcare in polvere o in tavolette per rimuovere il calcare dall'apparecchio per evitare di danneggiarlo.**

- 1 Aprite il coperchio del serbatoio dell'acqua.
- 2 Riempite il serbatoio dell'acqua con aceto bianco (4% di acido acetico) fino all'indicazione 10 tazze.
- 3 Posizionate un filtro di carta (tipo 1 x 4 o n. 4) o il filtro permanente nel cestello del filtro e chiudete il portafiltro.
- 4 Posizionate la caraffa vuota nell'apparecchio.
- 5 Inserite la spina nella presa di corrente a muro.
- 6 Premete il pulsante on/off per accendere l'apparecchio. Il display si accende.
- 7 Premete il pulsante di selezione dell'intensità e ruotate la manopola di controllo per scegliere l'impostazione (fig. 11) del caffè premacinato.
- 8 Premete il centro della manopola di controllo per confermare (fig. 6).
- 9 Premete nuovamente il centro della manopola di controllo per avviare il processo di erogazione.
- 10 Attendete finché la metà dell'aceto non si sia riversata nella caraffa. Quindi premete il pulsante on/off per interrompere il processo di erogazione. Lasciate agire la soluzione per almeno 15 minuti.
- 11 Premete il pulsante on/off per accendere nuovamente la macchina per caffè.
- 12 Premete due volte il centro della manopola di controllo per lasciare che l'apparecchio completi il processo di erogazione (fig. 25).
- 13 Svuotate la caraffa e rimuovete il filtro di carta o il filtro permanente con i residui di calcare.
- 14 Riempite il serbatoio dell'acqua con acqua fredda e premete due volte il centro della manopola di controllo per avviare un altro processo di erogazione (fig. 25). Lasciate che la macchina per caffè completi l'intero processo di erogazione e svuotate la caraffa.

Nota: se necessario, ripetete il passaggio 14 finché l'acqua che fuoriesce dall'apparecchio non perde il sapore o l'odore di aceto.

- 15 Pulite il cestello del filtro e la caraffa con acqua calda e del detersivo per piatti.
- 16 Premete il pulsante on/off sulla parte anteriore dell'apparecchio per spegnere l'apparecchio (fig. 21).

## Ordinazione degli accessori

Per acquistare accessori o parti di ricambio, visitate il sito Web [www.shop.philips.com/service](http://www.shop.philips.com/service) o recatevi presso il rivenditore Philips di zona. Potete inoltre contattare il Centro Assistenza Clienti Philips del vostro paese. Per i dettagli, fate riferimento all'opuscolo della garanzia internazionale.

## Garanzia e assistenza

Per assistenza o informazioni, visitate il sito Web all'indirizzo [www.philips.com/support](http://www.philips.com/support) oppure leggete l'opuscolo della garanzia internazionale.

## Riciclaggio

- Questo simbolo indica che il prodotto non può essere smaltito con i normali rifiuti domestici (2012/19/UE) (fig. 26).
  - Ci sono due situazioni in cui potete restituire gratuitamente il prodotto vecchio a un rivenditore:
- 1 Quando acquistate un prodotto nuovo, potete restituire un prodotto simile al rivenditore.

- 2 Se non acquistate un prodotto nuovo, potete restituire prodotti con dimensioni inferiori a 25 cm (lunghezza, altezza e larghezza) ai rivenditori con superficie dedicata alla vendita di prodotti elettrici ed elettronici superiore ai 400 m<sup>2</sup>.
- In tutti gli altri casi, attenetevi alle normative di raccolta differenziata dei prodotti elettrici ed elettronici in vigore nel vostro paese: un corretto smaltimento consente di evitare conseguenze negative per l'ambiente e per la salute.

## Risoluzione dei problemi

Questo capitolo riassume i problemi più comuni che potreste riscontrare con il dispositivo. Se non riuscite a risolvere il problema con le informazioni riportate sotto, visitate il sito [www.philips.com/support](http://www.philips.com/support) per un elenco di domande frequenti o contattate il Centro assistenza clienti del vostro paese.

Problema	Soluzione
L'apparecchio non funziona.	Inserite la spina in una presa di corrente e premete il pulsante on/off per accendere l'apparecchio.
	Verificate che la tensione indicata sull'apparecchio corrisponda alla tensione locale.
	Riempite d'acqua il serbatoio.
Il macinacaffè non funziona o non funziona correttamente.	Chiudete il coperchio del macinacaffè.
	Assicuratevi che non sia stato selezionato il caffè premacinato. Se il simbolo del caffè premacinato è visibile sul display, avete selezionato il caffè premacinato.
Quando si utilizza il macinacaffè, il caffè risulta troppo leggero.	Pulite il macinacaffè seguendo le istruzioni fornite.
	Assicuratevi che il numero di tazze selezionato sia compatibile con la quantità di acqua presente nel serbatoio. tenete presente che la macchina per caffè utilizza tutta l'acqua presente nel serbatoio.
	Usate il pulsante dell'intensità per impostare l'intensità del caffè su "forte".
Quando si usa caffè premacinato, l'aroma risulta troppo leggero.	Usate caffè in grani di una miscela o di un gusto più intensi.
	Assicuratevi che la quantità di caffè premacinato presente nel filtro sia compatibile con la quantità di acqua presente nel serbatoio. Tenete presente che l'apparecchio utilizza tutta l'acqua contenuta nel serbatoio.
	Usate caffè macinato di una miscela o di un gusto più intensi.
Il filtro trabocca quando viene rimossa la caraffa dall'apparecchio durante la preparazione del caffè.	Per aumentare l'intensità del caffè, aumentate la quantità di caffè premacinato o diminuite la quantità di acqua.
	Se rimuovete la caraffa per più di 20 secondi durante il processo di erogazione, il sistema antigoccia causa la fuoriuscita del caffè dal cestello del filtro. Tenete inoltre presente che l'intensità finale del caffè si raggiunge solo a conclusione del ciclo di erogazione. Si consiglia pertanto di non rimuovere la caraffa e di non versare il caffè prima della fine del processo di erogazione.

L'apparecchio continua a perdere acqua anche molto tempo dopo il processo di erogazione.

La fuoriuscita di acqua è causata dalla condensazione del vapore. Si tratta di un fenomeno normale che può verificarsi.

---

Se il problema persiste, il sistema antigoccia potrebbe essere ostruito. Per pulire il sistema antigoccia, aprite il portafiltro ed estraete il cestello del filtro. Sciacquate il cestello del filtro e il sistema antigoccia sotto l'acqua corrente.

---

Il caffè non è abbastanza caldo.

Il caffè nella caraffa si raffredda più velocemente se preparate solo alcune tazze. Il caffè resta caldo più a lungo se preparate 10 tazze, che corrispondono a una caraffa piena.

---

Eseguite la pulizia anticalcare dell'apparecchio.

---

L'apparecchio non avvia la pulizia del macinacaffè.

Assicuratevi di avere collegato l'apparecchio alla presa di corrente.

---

Aprite il coperchio del macinacaffè prima di tenere premuto il pulsante di selezione dell'intensità.

---

Tenete premuto il pulsante di selezione dell'intensità del caffè per 4 secondi finché il macinacaffè non avvia automaticamente la pulizia.

---

L'apparecchio funziona ma emette un segnale acustico.

Controllate che il coperchio del macinacaffè sia chiuso correttamente.

---

Il caffè in grani si esaurisce rapidamente.

Per ottenere una tazza di caffè perfetta, è necessaria una certa quantità di caffè macinato. La quantità di caffè in grani utilizzata dall'apparecchio per ottenere la giusta quantità di caffè macinato per ogni tazza è normale.

---

## Introductie

Gefeliciteerd met uw aankoop en welkom bij Philips! Registreer uw product op [www.philips.com/welcome](http://www.philips.com/welcome) om optimaal gebruik te kunnen maken van de door Philips geboden ondersteuning.

## Algemene beschrijving (afb. 1)

- 1 Filtermandje
- 2 Druppelstop
- 3 Filtermandhouder
- 4 Waterniveau-indicator
- 5 Deksel van waterreservoir
- 6 Deksel van koffiebonenreservoir
- 7 Keuzeknop van koffiebonenreservoir
- 8 Maalgraadknop
- 9 Dubbele houder voor verse koffiebonen
- 10 Deksel van maalmolentrichter
- 11 Vergrendeling van deksel van maalmolentrichter
- 12 Watervulopening
- 13 Display
- 14 Aan/uit-knop
- 15 Pictogram voor voorgemalen koffie
- 16 Aantal koppen
- 17 Pictogram van koffiekop
- 18 Pictogrammen van koffiebonen voor koffiesterkte
- 19 Koffiesterkteknop
- 20 Timerknop
- 21 Bedieningsknop
- 22 Tijdenaanduiding
- 23 Timerpictogram
- 24 Deksel van glazen kan
- 25 Glazen kan
- 26 Schoonmaakborsteltje voor bonentrichter

## Belangrijk

### Gevaar

- Dompel het apparaat nooit in water of een andere vloeistof en spoel het ook niet af onder de kraan.

### Waarschuwing

- Controleer of het voltage dat wordt aangegeven op het apparaat, overeenkomt met de plaatselijke netspanning voordat u het apparaat aansluit.
- Gebruik het apparaat niet als de stekker, het netsnoer of het apparaat zelf beschadigd is.

- Als het netsnoer beschadigd is, moet u het laten vervangen door Philips, een door Philips geautoriseerd servicecentrum of door personen met vergelijkbare kwalificaties om gevaarlijke situaties te voorkomen.
- Sluit het apparaat uitsluitend aan op een geaard stopcontact.
- Dit apparaat kan worden gebruikt door kinderen vanaf 8 jaar en door personen met verminderde lichamelijke, zintuiglijke of geestelijke capaciteiten of weinig ervaring en kennis, mits dat gebeurt onder toezicht of nadat zij aanwijzingen hebben gekregen voor veilig gebruik van het apparaat en mits zij de gevaren van het gebruik van dit apparaat begrijpen. Reiniging en onderhoud mogen alleen door kinderen worden uitgevoerd die ouder zijn dan 8 en alleen onder toezicht. Houd het apparaat en het snoer buiten bereik van kinderen die jonger zijn dan 8 jaar oud.
- Kinderen mogen niet met het apparaat spelen.
- Gebruik dit apparaat alleen voor het beoogde doel, om eventuele gevaren of verwondingen te voorkomen.
- Laat het snoer niet over de rand van de tafel of het aanrecht hangen waarop het apparaat staat.
- Raak de maalschijven van het apparaat niet aan, vooral niet wanneer het apparaat is aangesloten op een stopcontact.
- Raak de hete oppervlakken van het apparaat niet aan wanneer het apparaat in werking is.
- Leeg het waterreservoir niet door het apparaat te kantelen. Dit kan het apparaat beschadigen. Om het apparaat te legen, volgt u de instructies voor het spoelen van het apparaat (zie 'Het apparaat doorspoelen').

- Als u er niet in slaagt een probleem op te lossen met behulp van de informatie in deze gebruiksaanwijzing, neem dan contact op met het Consumer Care Center in uw land. Kan het probleem niet worden opgelost, breng de koffiezetter dan naar een door Philips geautoriseerd servicecentrum voor onderzoek of reparatie. Probeer het apparaat niet zelf te repareren, omdat uw garantie hierdoor komt te vervallen.

### Let op

- Plaats het apparaat niet op een heet oppervlak en voorkom dat het netsnoer in contact komt met hete oppervlakken.
- Plaats het koffiezetapparaat tijdens gebruik niet in een kast.
- Haal de stekker van het apparaat uit het stopcontact als er tijdens het malen van bonen of het koffiezetten problemen optreden, en voordat u het apparaat gaat schoonmaken.
- Houd de stekker en het stopcontact droog.
- Verplaats of til het apparaat niet op wanneer het in werking is.
- De kan is zowel tijdens als na het koffiezetten heet. Pak de kan altijd vast bij het handvat.
- Gebruik de kan nooit in een magnetron.
- Wacht met opbergen tot het apparaat is afgekoeld. De warmhoudplaat en de koffiekannetjes kunnen heet zijn.
- Controleer nadat u het apparaat hebt uitgepakt of het compleet en onbeschadigd is. Twijfelt u, gebruik het apparaat dan niet en neem contact op met het Consumer Care Center in uw land.
- Deze machine is uitsluitend bedoeld voor normaal huishoudelijk gebruik. Deze machine is niet bedoeld voor gebruik in personeelskeukens van bijvoorbeeld winkels, kantoren, boerderijen of vergelijkbare werkomgevingen.

### Elektromagnetische velden (EMV)

Dit Philips-apparaat voldoet aan alle toepasselijke richtlijnen en voorschriften met betrekking tot blootstelling aan elektromagnetische velden.



# Vóór het eerste gebruik

## De kloktijd instellen

- 1 Steek de stekker in het stopcontact. De tijdsaanduiding knippert op het display om aan te geven dat u de kloktijd (Fig. 2) moet instellen.
- 2 Draai aan de bedieningsknop om het uur in te stellen. De uuraanduiding knippert (Fig. 3).
- 3 Druk op het midden van de bedieningsknop om het uur te bevestigen.
- 4 De minutenaanduiding begint te knipperen om aan te geven dat u de minuten (Fig. 4) moet instellen.
- 5 Draai aan de bedieningsknop om de minuten (Fig. 5) in te stellen.
- 6 Druk op het midden van de bedieningsknop om de minuten (Fig. 6) te bevestigen.
- 7 Het display toont de ingestelde kloktijd. Het koffiezetapparaat is nu klaar voor gebruik.

## De automatische uitschakeltijd instellen

U kunt aangeven hoelang uw koffie na het koffiezetten heet moet blijven door in te stellen na hoeveel tijd het apparaat automatisch moet worden uitgeschakeld. De automatische uitschakeltijd is standaard ingesteld op 30 minuten. De maximale automatische uitschakeltijd bedraagt 120 minuten. Wilt u de automatische uitschakeltijd aanpassen, volg dan de onderstaande stappen.

- 1 Zorg ervoor dat het apparaat is uitgeschakeld, maar laat de stekker wel in het stopcontact zitten.
- 2 Druk op het midden van de bedieningsknop tot het display begint te knipperen.
- 3 Draai aan de bedieningsknop om de tijd te verhogen of te verlagen. 1 is 10 minuten, 2 is 20 minuten, 3 is 30 minuten enzovoort tot 12 is 120 minuten.
- 4 Druk op het midden van de bedieningsknop om de automatische uitschakeltijd te bevestigen.

Opmerking: Het apparaat slaat altijd de laatst gekozen instelling op.

## Het apparaat doorspoelen

Voor het eerste gebruik moet de koffiezetter eenmaal worden doorgespoeld.

- 1 Open het deksel van het waterreservoir. Vul het waterreservoir met vers koud water tot aan de aanduiding (Fig. 7) voor 8 koppen.

Opmerking: stop geen koffiebonen of voorgemalen koffie in het waterreservoir.

- 2 Sluit het deksel van het waterreservoir.
- 3 Plaats de kan in het apparaat (Fig. 8).
- 4 Druk op de aan/uit-knop (Fig. 9). Het display gaat branden en het apparaat piept.
- 5 Druk op de koffiesterkteknop (Fig. 10).
- 6 Draai aan de bedieningsknop om de instelling (Fig. 11) voor voorgemalen koffie te kiezen. Het pictogram voor voorgemalen koffie begint te knipperen.
- 7 Druk in het midden van de bedieningsknop om te bevestigen.
- 8 Druk nogmaals in het midden van de bedieningsknop. Het apparaat start het doorspoelproces.
- 9 Laat het apparaat werken tot het doorspoelproces voltooid is. Het proces is voltooid wanneer het apparaat stopt met piepen.
- 10 Leeg de kan.
- 11 Druk op de aan/uit-knop om het apparaat uit te schakelen.

# Het apparaat gebruiken

## Het waterreservoir vullen

Er staan aanduidingen voor 2 tot 10 koppen (275 ml tot 1375 ml) op het waterniveauvenster. U kunt deze aanduidingen gebruiken om vast te stellen hoeveel water u in het waterreservoir moet doen. Voor elke kop water die wordt toegevoegd, verandert de reflectie van licht in donker.

- 1 Open het deksel van het waterreservoir en vul het waterreservoir met de benodigde hoeveelheid koud water (Fig. 7).

Opmerking: Vul het waterreservoir nooit tot boven de 10-kopsaanduiding.

Opmerking: zorg ervoor dat de hoeveelheid water die u in het waterreservoir giet, overeenkomt met het aantal koppen koffie dat u wilt zetten. De koffiezetter gebruikt al het water in het waterreservoir.

## Met koffiebonen

**Waarschuwing: Houd altijd het deksel van het waterreservoir gesloten wanneer u het koffiebonenreservoir met koffiebonen vult. Anders kunnen de koffiebonen in het waterreservoir vallen en de waterinlaat verstopen.**

- 1 Open het deksel (Fig. 12) van het koffiebonenreservoir.
- 2 Vul het dubbele bonenreservoir met verse koffiebonen. U kunt elk reservoir vullen met een andere soort koffiebonen. Zorg dat er voldoende koffiebonen in het dubbele reservoir zitten voor de hoeveelheid koffie die u wilt zetten (Fig. 13).

Opmerking: Zorg altijd dat het dubbele reservoir voor verse koffiebonen ten minste voor de helft is gevuld.

**Waarschuwing: gebruik geen ongebrande of gekaramelliseerde bonen, om te voorkomen dat de molen vastloopt. Gebruik koffiebonen in plaats van espressobonen, anders kan de molen beschadigd raken.**

- 3 Open de filtermandhouder (Fig. 14).
- 4 Plaats een filterzakje (type 1x4 of nr. 4) of het permanente filter in de filtermand (Fig. 15).
- 5 Sluit de filtermandhouder.
- 6 Draai de maalgraadknop naar de gewenste maling; van fijn tot grof. Er zijn negen maalgraadinstellingen (Fig. 16).

Tip: Met de maalgraadknop kunt u kiezen uit negen verschillende instellingen. De pictogrammen geven 3 voorgeselecteerde optimale instellingen aan, maar u kunt ook kiezen voor een instelling tussen de pictogrammen. Wij adviseren u om met de verschillende maalgraadstanden te experimenteren om te ontdekken welke stand u het prettigst vindt.

- 7 Draai aan de reservoirkeuzeknop om tussen de twee reservoirs te kiezen.

Opmerking: Telkens als u een ander bonenreservoir of andere koffiebonen gebruikt, blijven er resten achter van de vorige koffiebonen die zijn gemalen. Maak daarom de maalmolentrechter schoon wanneer u een andere soort koffiebonen kiest.

- 8 Druk op de koffiesterkteknop (Fig. 10). De pictogrammen van de koffiebonen beginnen te knippen.
- 9 Draai aan de bedieningsknop om de gewenste koffiesterkte te selecteren: 1 boon voor milde koffie, 2 bonen voor koffie van gemiddelde sterkte of 3 bonen voor sterke koffie.

- 10 Druk op het midden van de bedieningsknop om de sterkte (Fig. 6) te bevestigen.
- 11 Selecteer het aantal koppen door aan de bedieningsknop te draaien tot het gewenste aantal koppen op het display knippert.

Opmerking: houd er rekening mee dat de koffiezetter al het water in het waterreservoir gebruikt. Als het aantal koppen dat u kiest minder is dan de hoeveelheid water in het reservoir, wordt de koffie slapper dan de bedoeling was.

- 12 Druk op het midden van de bedieningsknop om het aantal koppen (Fig. 6) te bevestigen.
- 13 Druk nogmaals op het midden van de bedieningsknop. Het apparaat piept en begint de benodigde hoeveelheid koffiebonen te malen. Wanneer het maalproces voltooid is, begint het apparaat met koffiezetten.
- 14 Wacht tot de koffiezetter is gestopt met piepen voor u de kan verwijderd.

Opmerking: na het koffiezetten druppelt er nog enkele seconden koffie uit de filtermand.

- 15 Het apparaat zorgt dat uw koffie warm blijft, totdat het automatisch wordt uitgeschakeld. Als uw koffie niet warm gehouden hoeft te worden, drukt u op de aan/uit-knop om het apparaat uit te schakelen.

## Met voorgemalen koffie

Volg de onderstaande stappen als u voorgemalen koffie wilt gebruiken in plaats van koffiebonen.

- 1 Open het deksel van het waterreservoir en vul het waterreservoir met de benodigde hoeveelheid koud water (Fig. 7).
- 2 Open de filtermandhouder (Fig. 14).
- 3 Plaats een filterzakje (type 1x4 of nr. 4) of het permanente filter in de filtermand.
- 4 Doe voorgemalen koffie in het filterzakje of in het permanente filter.
- 5 Sluit de filtermandhouder.
- 6 Plaats de kan in het apparaat (Fig. 8).
- 7 Druk op de aan/uitknop (Fig. 9). Het display gaat branden.
- 8 Druk op de koffiesterkteteknop (Fig. 10).
- 9 Draai aan de bedieningsknop om de instelling voor voorgemalen koffie (Fig. 11) te kiezen. Het pictogram voor voorgemalen koffie gaat branden.
- 10 Druk in het midden van de bedieningsknop om te bevestigen (Fig. 6).
- 11 Druk vervolgens nogmaals in het midden van de bedieningsknop om het koffiezetten (Fig. 6) te starten.
- 12 Wacht tot de koffiezetter is gestopt met piepen voor u de kan verwijderd.

Opmerking: na het koffiezetten druppelt er nog enkele seconden koffie uit de filtermand.

- 13 Het apparaat zorgt dat uw koffie warm blijft, totdat het automatisch wordt uitgeschakeld. Als uw koffie niet warm gehouden hoeft te worden, drukt u op de aan/uit-knop om het apparaat uit te schakelen.

## De timer instellen

Met de timer kunt u de tijd programmeren waarop u wilt dat de koffie wordt gezet. Zorg dat alle stappen voor het zetten van koffie met voorgemalen koffie of koffiebonen zijn uitgevoerd voordat u de timer instelt.

- 1 Druk op de timerknop (Fig. 17). De uuraanduiding knippert op het display om aan te geven dat u het uur moet instellen.
- 2 Draai aan de knop om het uur (Fig. 18) in te stellen.
- 3 Druk op het midden van de bedieningsknop om het uur te bevestigen. De minuten beginnen te knipperen om aan te geven dat u de minuten moet instellen.

## 60 Nederlands

- 4 Draai aan de bedieningsknop om de minuten (Fig. 19) in te stellen.
- 5 Druk op het midden van de knop om de minuten en de ingestelde tijd (Fig. 21) te bevestigen. De timer is ingesteld en de koffie wordt op de ingestelde tijd gezet.

### Druppelstopfunctie

Dankzij de druppelstopfunctie kunt u de kan uit de koffiezetter verwijderen voor het koffiezetten beëindigd is. Wanneer u de kan verwijdert, zorgt de druppelstop ervoor dat er geen koffie meer in de kan stroomt.

Opmerking: het koffiezetproces stopt niet wanneer u de kan verwijdert. Als u de kan niet binnen 20 seconden terugzet in het apparaat, loopt de filtermand over.

## Reiniging en onderhoud

### Schoonmaken na ieder gebruik

**Dompel het apparaat nooit onder in water of een andere vloeistof en spoel het ook niet af onder de kraan.**

- 1 Haal de stekker uit het stopcontact.
- 2 Veeg de buitenkant van de koffiezetter schoon met een vochtige doek.
- 3 Maak de filtermand en het permanente filter schoon met warm water en een beetje afwasmiddel of in de vaatwasmachine.

### De maalmolentrichter reinigen

**Belangrijk: maak de maalmolentrichter elke 1 à 2 weken schoon om te voorkomen dat de trechter verstopt raakt met gemalen koffie. U kunt dit snel en eenvoudig doen door de onderstaande stappen te volgen.**

Opmerking: Zorg ervoor dat het bonenreservoir leeg is voordat u de bonentrichter gaat schoonmaken.

- 1 Druk op de aan/uit-knop om het apparaat (Fig. 21) uit te schakelen.
- 2 Open de filtermandhouder (Fig. 14).
- 3 Plaats een filterzakje (type 1x4 of nr. 4) of het permanente filter in de filtermand (Fig. 15).
- 4 Sluit de filtermandhouder.
- 5 Gebruik het uiteinde van het schoonmaakborsteltje voor de bonentrichter om het deksel van de maalmolentrichter (Fig. 22) te openen.
- 6 Houd de koffiesterkteknop 4 seconden (Fig. 23) ingedrukt. De molen reinigt zichzelf.
- 7 Wacht tot de molen klaar is met reinigen en gebruik daarna het schoonmaakborsteltje voor de bonentrichter om resten gemalen koffie naar het onderste deel van de trechter (Fig. 24) te borstelen. De resten gemalen koffie vallen in de filtermand.
- 8 Sluit het deksel van de maalmolentrichter.
- 9 Verwijder het filterzakje of het permanente filter met de resten gemalen koffie.

## De koffiezetter ontkalken

Ontkalk de koffiezetter wanneer het apparaat buitensporig veel stoom produceert of wanneer het koffiezetten langer duurt. Het is raadzaam om iedere twee maanden te ontkalken. Gebruik alleen blanke azijn om te ontkalken; andere producten kunnen de koffiezetter beschadigen. Ga voor meer informatie over ontkalken naar [www.philips.com/descale-coffeemaker](http://www.philips.com/descale-coffeemaker).

**Waarschuwing: Gebruik nooit azijn met een azijnzuurpercentage van 8% of hoger, natuurazijn, een ontkalker op poederbasis of een ontkalker in tabletvorm om het apparaat te ontkalken, omdat dit schade kan veroorzaken.**

- 1 Open het deksel van het waterreservoir.
  - 2 Vul het waterreservoir tot de 10-kopsaanduiding met blanke azijn (4% azijnzuur).
  - 3 Plaats een filterzakje (type 1x4 of nr. 4) of het permanente filter in de filtermand en sluit de filtermandhouder.
  - 4 Plaats de lege kan in het apparaat.
  - 5 Steek de stekker in het stopcontact.
  - 6 Druk op de aan/uit-knop om het apparaat in te schakelen. Het display gaat branden.
  - 7 Druk op de koffiesterkteknop en draai aan de bedieningsknop om de instelling (Fig. 11) voor voorgemalen koffie te selecteren.
  - 8 Druk op het midden van de bedieningsknop om te bevestigen (Fig. 6).
  - 9 Druk nogmaals op het midden van de bedieningsknop om het koffiezetten te starten.
  - 10 Wacht tot de helft van de azijn in de kan is gelopen. Druk vervolgens op de aan/uit-knop om het koffiezetproces te onderbreken. Laat de azijn minimaal 15 minuten inwerken.
  - 11 Druk op de aan/uit-knop om de koffiezetter weer in te schakelen.
  - 12 Druk tweemaal op het midden van de bedieningsknop om het apparaat het koffiezetproces (Fig. 25) te laten voltooien.
  - 13 Maak de kan leeg en verwijder het filterzakje of het permanente filter met de kalkresten.
  - 14 Vul het waterreservoir met schoon koud water en druk tweemaal op het midden van de bedieningsknop om het koffiezetproces (Fig. 25) nogmaals te starten. Laat de koffiezetter het volledige koffiezetproces doorlopen en leeg de kan.
- Opmerking: Herhaal, indien nodig, stap 14 tot het water dat uit het apparaat komt niet langer naar azijn smaakt of ruikt.
- 15 Maak de filtermand en de kan schoon met warm water en wat afwasmiddel.
  - 16 Druk op de aan/uit-knop op de voorzijde van het apparaat om het apparaat (Fig. 21) uit te schakelen.

## Accessoires bestellen

Ga naar [www.shop.philips.com/service](http://www.shop.philips.com/service) of uw Philips-dealer om accessoires of reserveonderdelen aan te schaffen. U kunt ook contact opnemen met het Philips Consumer Care Centre in uw land (zie de meegeleverde wereldwijde garantieverklaring voor contactgegevens).

## Garantie en ondersteuning

Hebt u informatie of ondersteuning nodig, ga dan naar [www.philips.com/support](http://www.philips.com/support) of lees de internationale garantieverklaring.

## Recyclen

- Dit symbool betekent dat dit product niet samen met het gewone huishoudelijke afval mag worden weggegooid (2012/19/EU) (Fig. 26).
- Volg de in uw land geldende regels voor de gescheiden inzameling van elektrische en elektronische producten. Als u oude producten correct verwijdert, voorkomt u negatieve gevolgen voor het milieu en de volksgezondheid.

## Problemen oplossen

In dit hoofdstuk worden in het kort de meest voorkomende problemen behandeld die zich kunnen voordoen tijdens het gebruik van het apparaat. Als u het probleem niet kunt oplossen met behulp van de onderstaande informatie, gaat u naar [www.philips.com/support](http://www.philips.com/support) voor een lijst met veelgestelde vragen of neemt u contact op met het Consumer Care Center in uw land.

Probleem	Oplossing
Het apparaat werkt niet.	Steeke de stekker in het stopcontact en druk op de aan/uit-knop om het apparaat in te schakelen.
	Controleer of het voltage aangegeven op het apparaat overeenkomt met de plaatselijke netspanning.
	Vul het waterreservoir met water.
De molen werkt niet of werkt niet goed.	Sluit het deksel van de maalmolentrichter.
	Controleer of u niet per ongeluk voorgemalen koffie hebt geselecteerd. Als het symbool voor voorgemalen koffie op het display wordt getoond, hebt u voorgemalen koffie geselecteerd.
Als ik de molen gebruik, is de koffie te slap.	Maak de maalmolentrichter schoon volgens de instructies.
	Controleer of het gekozen aantal koppen overeenkomt met de hoeveelheid water in het waterreservoir. houd er rekening mee dat de koffiezetter al het water in het waterreservoir gebruikt.
	Gebruik de koffiesterkteknop om de koffiesterkte op 'sterk' in te stellen. Gebruik koffiebonen van een sterkere melange of smaak.
Als ik voorgemalen koffie gebruik, is de koffie te slap.	Controleer of de hoeveelheid voorgemalen koffie in het filter overeenkomt met de hoeveelheid water in het waterreservoir. Houd er rekening mee dat het apparaat al het water in het waterreservoir gebruikt.
	Gebruik gemalen koffie van een sterkere melange of smaak. Gebruik meer voorgemalen koffie of minder water om sterkere koffie te verkrijgen.
Het filter stroomt over wanneer ik de kan tijdens het koffiezetten uit het apparaat verwijder.	Als u de kan tijdens het koffiezetproces meer dan 20 seconden verwijdert, zal de druppelstop de filtermand doen overstromen. Denk er bovendien aan dat de koffie zijn volledige smaak niet bereikt voor het einde van het koffiezetproces. Daarom raden wij u aan de kan niet te verwijderen en geen koffie uit te schenken voor het einde van het koffiezetproces.

Het apparaat blijft nog lang doordruppelen nadat het koffiezetproces is voltooid.	Het druppelen wordt veroorzaakt door de condensatie van stoom. Het is volkomen normaal dat het apparaat nog even blijft doordruppelen.
	Als het druppelen niet stopt, is de druppelstop mogelijk verstopt. Om de druppelstop schoon te maken, opent u de filtermandhouder en verwijdt u de filtermand. Spoel de filtermand en de druppelstop af onder de kraan.
De koffie is niet heet genoeg.	De koffie in de kan koelt sneller af als u maar een paar koppen koffie zet. De koffie blijft langer warm als u 10 koppen koffie zet. Dit is een volle kan.
	Ontkalk het apparaat.
Het apparaat begint niet met het schoonmaken van de maalmolentrichter.	Zorg ervoor dat de stekker in het stopcontact zit.
	Open het deksel van de maalmolentrichter voordat u de koffiesterkteknop ingedrukt houdt.
	Houd de koffiesterkteknop 4 seconden ingedrukt tot de molen zichzelf begint te reinigen.
Het apparaat werkt maar maakt een piepend geluid.	Controleer of het deksel van de maalmolentrichter goed gesloten is.
Het lijkt alsof de koffiebonen te snel op zijn.	Om een perfect kopje koffie te kunnen zetten, heeft het apparaat een bepaalde hoeveelheid gemalen koffie nodig. De hoeveelheid koffiebonen die het apparaat gebruikt voor de perfecte hoeveelheid gemalen koffie is normaal.

## Innledning

Gratulerer med kjøpet og velkommen til Philips! Registrer produktet på [www.philips.com/welcome](http://www.philips.com/welcome) for å dra full nytte av støtten som Philips tilbyr.

## Generell beskrivelse (fig. 1)

- 1 Filterkurv
- 2 Dryppstopp
- 3 Filterkurvholder
- 4 Vannivåmerke
- 5 Lokk på vannbeholder
- 6 Lokk til bønnebeholder
- 7 Velger for bønnebeholder
- 8 Knapp for grovhet
- 9 Dobbel beholder for ferske bønner
- 10 Lokk til kvernetrakt
- 11 Lås på lokk til kvernetrakt
- 12 Påfyllingsåpning for vann
- 13 Skjerm
- 14 Av/på-knapp
- 15 Ikon for forhåndsmalt kaffe
- 16 Antall kopper
- 17 Ikon for kaffekopp
- 18 Ikon for valg av kaffebønnestyrke
- 19 Knapp for styrkevalg
- 20 Timerknapp
- 21 Kontrollknott
- 22 Tidsindikator
- 23 Timerikon
- 24 Glasskanelokk
- 25 Glasskanne
- 26 Rengjøringsbørste for kaffebønnerennen

## Viktig

### Fare

- Ikke senk ned apparatet i vann eller annen væske, og ikke skyll det under rennende vann.

### Advarsel

- Før du kobler til apparatet, må du kontrollere at spenningen som er angitt på apparatet, stemmer overens med nettspenningen.
- Ikke bruk apparatet hvis støpselet, ledningen eller selve apparatet er ødelagt.



- Hvis ledningen er ødelagt, må du få den skiftet enten av Philips, på et servicesenter som er godkjent av Philips, eller av annet kvalifisert personell, slik at du unngår farlige situasjoner.
- Koble apparatet til en jordet stikkontakt.
- Apparatet kan brukes av barn fra 8 år og oppover, personer som har nedsatt fysisk, sensorisk eller mental funksjonsevne, og personer som mangler erfaring og kunnskap. Dette forutsetter imidlertid at bruken skjer under tilsyn, eller at brukeren forstår risikoene og har fått opplæring i trygg bruk av apparatet. Barn skal ikke rengjøre eller vedlikeholde apparatet med mindre de er over 8 år og får veiledning. Hold apparatet og ledningen utenfor rekkevidden til barn under 8 år.
- Ikke la barn leke med apparatet.
- Bruk kun dette produktet til det tiltenkte formål, for å unngå potensiell fare eller skade.
- Ikke la ledningen henge over kanten på bordet eller benken der apparatet står.
- Unngå å berøre de ru kvernekantene på apparatet – spesielt hvis apparatet er koblet til en stikkontakt.
- Ikke berør de varme overflatene på apparatet mens det er i bruk.
- Ikke tøm vannbeholderen ved å vippe på apparatet, ettersom det kan skade apparatet. Tøm apparatet (se 'Skyll apparatet') ved å følge instruksjonene for skylling.
- Hvis det oppstår et problem du ikke kan løse ved hjelp av denne brukerhåndboken, tar du kontakt med kundesenteret i landet der du bor. Hvis problemet ikke kan løses, tar du apparatet med til et servicesenter som er godkjent av Philips, for å få det undersøkt eller reparert. Ikke forsøk å reparere apparatet på egen hånd. Hvis du gjør det, vil garantien ikke lenger gjelde.

### **Forsiktig**

- Ikke plasser apparatet på en varm overflate, og pass på at ledningen ikke kommer i kontakt med varme overflater.
- Ikke sett kaffetrakteren i et skap når den er i bruk.

- Koble fra apparatet før du rengjør det, og hvis det oppstår problemer under malingen eller traktingen.
- Sørg for å holde både støpselet og stikkontakten tørre.
- Ikke løft og flytt på apparatet når det er i bruk.
- Kannen er varm under og etter traktingen. Hold den alltid etter håndtaket.
- Ikke sett kannen i en mikrobølgeovn.
- Vent til apparatet er avkjølt før du legger det vekk. Varmeplaten og kaffekannen kan være varme.
- Etter at du har pakket ut apparatet, må du kontrollere at det er i hel og uskadet stand. Hvis du er i tvil, må du ikke bruke apparatet, men ta kontakt med kundesenteret i landet der du bor.
- Denne maskinen er bare ment til vanlig husholdningsbruk. Den er ikke ment for bruk i omgivelser som kjøkken for ansatte i butikker, på kontorer, på gårder eller i andre arbeidsmiljøer.

## Elektromagnetiske felt (EMF)

Dette Philips-apparatet overholder alle aktuelle standarder og forskrifter for eksponering for elektromagnetiske felt.

## Før bruk første gang

### Stille klokken

- 1 Sett støpselet i stikkontakten. Tidsindikatoren blinker på skjermen for å angi at du må stille inn klokkeslettet (Fig. 2).
- 2 Vri på kontrollknotten for å angi ønsket time. Indikatoren for timer blinker (Fig. 3).
- 3 Trykk på midten av kontrollknotten for å bekrefte timen.
- 4 Indikatoren for minutter blinker for å vise at du må angi minuttene (Fig. 4).
- 5 Vri på kontrollknotten for å angi ønskede minutter (Fig. 5).
- 6 Trykk på midten av kontrollknotten for å bekrefte minuttene (Fig. 6).
- 7 Skjermen viser det angitte klokkeslettet. Nå er kaffetrakteren klar til bruk.

### Stille inn automatisk avslåingstid

For å velge hvor lenge kaffen skal holdes varm etter traktingen, justerer du hvor lang tid det skal gå før apparatet automatisk slår seg av. Apparatet vil som standard slå seg av etter 30 minutter. Lengste automatiske avslåingstid er 120 minutter. Følg trinnene under for å justere hvor lenge det skal gå før maskinen slår seg av automatisk.

- 1 Sørg for at apparatet er slått av, men at støpselet fremdeles står i stikkontakten.
- 2 Trykk midt på kontrollknappen til displayet begynner å blinke.

- 3 Vri kontrollknappen for å forlenge eller forkorte tiden. 1 er 10 minutter, 2 er 20 minutter, 3 er 30 minutter og så videre frem til 12, som er 120 minutter.
- 4 Trykk midt på kontrollknappen for å bekrefte den automatiske avslåingstiden.

**Merk:** Apparatet lagrer alltid den sist brukte innstillingen.

## Skylle apparatet

Skyll alltid kaffetrakteren én gang før bruk.

- 1 Åpne lokket til vannbeholderen. Fyll vannbeholderen med friskt, kaldt vann opp til 8 koppersnivået (Fig. 7).

**Merk:** Ikke hell kaffebønner eller forhåndsmalt kaffe i vannbeholderen.

- 2 Lukk lokket til vannbeholderen.
- 3 Sett kannen i apparatet (Fig. 8).
- 4 Trykk på av/på-knappen (Fig. 9). Displayet lyser, og apparatet piper.
- 5 Trykk på knappen (Fig. 10) for styrkevalg.
- 6 Vri kontrollknappen for å velge innstillingen (Fig. 11) for forhåndsmalt kaffe. Ikonet for forhåndsmalt kaffe begynner å blinke.
- 7 Trykk midt på kontrollknappen for å bekrefte.
- 8 Trykk en gang til midt på kontrollknappen. Apparatet starter skylleprosessen.
- 9 La apparatet kjøre til skylleprosessen er ferdig. Den er ferdig når apparatet slutter å pipe.
- 10 Tøm kannen.
- 11 Trykk på av/på-knappen for å slå av apparatet.

## Bruke apparatet

### Fylle vanntanken

Vannivåvinduet har merker for 2 til 10 kopper (275 til 1375 ml). Du kan bruke disse merkene til å finne ut hvor mye vann du skal ha i vannbeholderen. Refleksjonen endres fra lys til mørk per kopp med vann som fylles på.

- 1 Åpne lokket på vannbeholderen, og fyll vannbeholderen med mengden kaldt vann (Fig. 7) som kreves.

**Merk:** Ikke fyll vannbeholderen med vann over merket for 10 kopper.

**Merk:** Pass på at mengden vann du heller i vannbeholderen, samsvarer med antall kopper du ønsker å trakte. Kaffetrakteren bruker alt vannet i vannbeholderen.

### Bruke kaffebønner

**Advarsel:** Hold alltid lokket på vannbeholderen lukket når du fyller kaffebønnebeholderen med kaffebønner. I motsatt fall kan kaffebønner falle ned i vannbeholderen og blokkere vanninntaket.

- 1 Åpne lokket (Fig. 12) på kaffebønnebeholderen.
- 2 Fyll den doble beholderen for ferske bønner med kaffebønner. Du kan fylle de to beholderne med ulike typer kaffebønner. Kontroller at det er nok kaffebønner i den doble beholderen for mengden kaffe du vil trakte (Fig. 13).

Merk: Sørg alltid for at den doble beholderen for ferske bønner er minst halvfull.

**Advarsel: Ikke bruk uristede eller karamelliserte bønner, for å forhindre at kvernen tilstoppes. Bruk kaffebønner i stedet for espressobønner, da espressobønner kan skade kvernen.**

- 3 Åpne kurvholderen (Fig. 14) for filtre.
- 4 Legg et papirfilter (type 1x4 eller nr. 4) eller det permanente filteret i kurven (Fig. 15) for filtre.
- 5 Lukk filterkurvholderen.
- 6 Vri på knotten for grovhet for å velge ønsket kvernetype (fra fin til grov). Det finnes ni forskjellige innstillinger (Fig. 16) for kverning.

Tips: Med knotten for grovhet kan du velge mellom 9 forskjellige innstillinger. Ikonene angir 3 forhåndsvalgte optimale innstillinger, men du kan velge hvilken som helst innstilling mellom disse. Vi anbefaler at du prøver deg frem med ulike kverneinnstillinger til du finner en du liker.

- 7 Vri på beholdervelgeren for å velge mellom de to beholderne.

Merk: Når du bytter mellom kaffebønnebeholdere eller kaffebønner, blir det alltid igjen spor av den forrige typen kaffebønner som ble kvernet. For å forhindre dette bør du rengjøre kvernetrakten når du bytter til en ny type kaffebønner.

- 8 Trykk på styrkeknappen (Fig. 10). Ikonene for kaffebønner begynner å blinke.
- 9 Vri på kontrollknotten for å velge ønsket kaffestyrke: 1 bønne for mild kaffe, 2 bønner for middels sterk kaffe eller 3 bønner for sterk kaffe.
- 10 Trykk på midten av kontrollknotten for å bekrefte styrken (Fig. 6).
- 11 Velg antall kopper ved å vri kontrollknotten til ønsket antall kopper blinker på skjermen.

Merk: Husk at kaffetrakteren bruker alt vannet i vannbeholderen. Hvis valgt antall kopper er mindre enn mengden vann, blir kaffen svakere enn du hadde tenkt.

- 12 Trykk på midten av kontrollknotten for å bekrefte antall kopper (Fig. 6).
- 13 Trykk en gang til på midten av kontrollknotten. Apparatet piper og begynner å kverne den nødvendige mengden kaffebønner. Når kverneprosessen er fullført, begynner apparatet å trakte kaffe.
- 14 Vent til kaffetrakteren har sluttet å pipe før du fjerner kannen.

Merk: Etter traktingen drypper det kaffe fra filterkurven i flere sekunder.

- 15 Apparatet holder kaffen varm inntil det slår seg av automatisk. Hvis du ikke trenger å holde kaffen varm, trykker du på av/på-knappen for å slå av apparatet.

## Bruke forhåndsmalt kaffe

Hvis du ønsker å bruke forhåndsmalt kaffe i stedet for kaffebønner, følger du trinnene nedenfor.

- 1 Åpne lokket på vannbeholderen, og fyll vannbeholderen med mengden kaldt vann (Fig. 7) som kreves.
- 2 Åpne filterkurvholderen (Fig. 14).
- 3 Legg et papirfilter (type 1x4 eller nr. 4) eller det permanente filteret i filterkurven.
- 4 Legg den forhåndsmalte kaffen i papirfilteret eller det permanente filteret.
- 5 Lukk filterkurvholderen.
- 6 Sett kannen i apparatet (Fig. 8).
- 7 Trykk på av/på-knappen (Fig. 9). Displayet begynner å lyse.
- 8 Trykk på knappen for styrkevalg (Fig. 10).
- 9 Vri kontrollknappen for å velge innstillingen for forhåndsmalt kaffe (Fig. 11). Ikonet for forhåndsmalt kaffe lyser.
- 10 Trykk midt på kontrollknappen for å bekrefte (Fig. 6).

- 11 Trykk deretter en gang til midt på kontrollknappen for å starte traktingen (Fig. 6).
- 12 Vent til kaffetrakteren har sluttet å pipe før du fjerner kannen.

**Merk:** Etter traktingen drypper det kaffe fra filterkurven i flere sekunder.

- 13 Apparatet holder kaffen varm inntil det slår seg av automatisk. Hvis du ikke trenger å holde kaffen varm, trykker du på av/på-knappen for å slå av apparatet.

## Stille inn timeren

Timerfunksjonen gjør at du kan programmere tidspunktet du vil at trakteprosessen skal starte. Sørg for at alle trinnene i trakteprosessen er unnagjort med enten ferdigmalt kaffe eller kaffebønner før du stiller inn timeren.

- 1 Trykk på timerknappen (Fig. 17). Indikatoren for timer blinker på skjermen for å vise at du må stille inn tiden i timer.
- 2 Vri på knotten for å angi ønsket time (Fig. 18).
- 3 Trykk på midten av kontrollknotten for å bekrefte timen. Minuttene begynner å blinke for å varsle om at du må angi ønskede minutter.
- 4 Vri på kontrollknotten for å angi ønskede minutter (Fig. 19).
- 5 Trykk på midten av knotten for å bekrefte minuttene og tiden (Fig. 21). Timeren er angitt og trakteprosessen starter ved forhåndsinnstilt klokkeslett.

## Dryppstoppfunksjon

Dryppstoppfunksjonen gjør at du kan fjerne kannen fra kaffetrakteren før trakteprosessen er ferdig. Når du fjerner kannen, sørger dryppstoppfunksjonen for at det slutter å renne kaffe inn i kannen.

**Merk:** Traktesyklusen stopper ikke når du fjerner kannen. Hvis du ikke setter kannen tilbake på varmeplaten innen 20 sekunder, renner kurven over.

# Rengjøring og vedlikehold

## Rengjør etter hver gangs bruk

**Ikke senk ned apparatet i vann eller annen væske, og ikke skyll det under rennende vann.**

- 1 Ta ut støpselet av stikkkontakten.
- 2 Tørk av utsiden av kaffetrakteren med en fuktig klut.
- 3 Rengjør filterkurven og det permanente filteret med varmt vann og litt oppvaskmiddel, eller gjør dem rene i oppvaskmaskinen.

## Rengjøre kvernetrakten

**Viktig:** Rengjør kvernetrakten med 1–2 ukers mellomrom for å unngå tilstopping av malt kaffe. Dette gjøres enkelt og raskt ved å følge trinnene under.

**Merk:** Pass på at kaffebønnebeholderen er tom før du starter rengjøringen.

- 1 Trykk på av/på-knappen for å slå av apparatet (Fig. 21).
- 2 Åpne kurvholderen (Fig. 14) for filtre.
- 3 Legg et papirfilter (type 1x4 eller nr. 4) eller det permanente filteret i kurven (Fig. 15) for filtre.

## 70 Norsk

- 4 Lukk filterkurvholderen.
- 5 Åpne lokket på kvernetrakten (Fig. 22) ved hjelp av enden på rengjøringsbørsten for kaffebønnerennen.
- 6 Trykk på og hold knappen for styrkevalg inne i fire sekunder (Fig. 23). Kvernen begynner å rengjøre seg selv.
- 7 Når kvernen har avsluttet rengjøringen, må du bruke rengjøringsbørsten for kaffebønnerennen til å børste restene av den malte kaffen inn i nedre del av trakten (Fig. 24). Restene av den malte kaffen faller ned i filterkurven.
- 8 Lukk lokket på kvernetrakten.
- 9 Ta ut papirfilteret eller det permanente filteret med restene av den malte kaffen.

## Avkalke kaffetrakteren

Hvis du ser at det kommer mye damp eller traktetiden øker, bør kaffetrakteren avkalkes oftere. Kaffetrakten bør avkalkes annenhver måned. Bruk kun hvit eddik for avkalkingen, da andre produkter kan skade kaffetrakteren. Se [www.philips.com/descale-coffeemaker](http://www.philips.com/descale-coffeemaker) for mer informasjon om avkalking.

**Advarsel: Bruk aldri hvit eddik med 8 % syre eller mer, naturlig eddik, avkalkingspulver eller avkalkingstabletter for å avkalke apparatet. Dette kan føre til skader.**

- 1 Åpne lokket til vannbeholderen.
  - 2 Fyll vannbeholderen med hvit eddik (4 % eddiksyre) opp til merket for 10 kopper.
  - 3 Legg et papirfilter (type 1x4 eller nr. 4) eller det permanente filteret i filterkurven, og lukk filterkurvholderen.
  - 4 Sett den tomme kannen i apparatet.
  - 5 Sett støpselet i stikkkontakten.
  - 6 Trykk på av/på-knappen for å slå på apparatet (Fig. 9). Skjermen begynner å lyse.
  - 7 Trykk på knappen for styrkevalg, og vri på kontrollknotten for å velge innstillingen (Fig. 11) for forhåndsmalt kaffe.
  - 8 Trykk på midten av kontrollknotten for å bekrefte (Fig. 6).
  - 9 Trykk på midten av kontrollknotten for å starte traktingen.
  - 10 Vent til halvparten av eddiken har rent ned i kannen. Trykk deretter på av/på-knappen for å avbryte trakteprosessen. La eddiken få virke i minst 15 minutter.
  - 11 Trykk på av/på-knappen for å slå kaffetrakteren på igjen.
  - 12 Trykk to ganger på midten av kontrollknotten for å la apparatet fullføre trakteprosessen (Fig. 25).
  - 13 Tøm kannen og ta ut papirfilteret eller det permanente filteret med kalkrestene.
  - 14 Fyll vannbeholderen med friskt, kaldt vann, og trykk to ganger på midten av kontrollknotten for å starte en ny trakteprosess (Fig. 25). La kaffetrakteren fullføre hele trakteprosessen, og tøm kannen.
- Merk: Hvis det er nødvendig, må du gjenta trinn 14 til vannet som kommer ut av apparatet, ikke lenger smaker eller lukter eddik.
- 15 Rengjør filterkurven og kannen med varmt vann og litt oppvaskmiddel.
  - 16 Trykk på av/på-knappen på forsiden for å slå av apparatet (Fig. 21).

## Bestille tilbehør

Gå til [www.shop.philips.com/service](http://www.shop.philips.com/service) eller din lokale Philips-forhandler for å kjøpe tilbehør eller reservedeler. Du kan også kontakte Philips sin forbrukerstøtte i landet der du bor (du finner kontaktinformasjonen i garantiheftet).

## Garanti og støtte

Besøk [www.philips.com/support](http://www.philips.com/support) eller se det internasjonale garantiheftet for mer informasjon eller hjelp.

## Resirkulering

- Dette symbolet betyr at dette produktet ikke må avhendes i vanlig husholdningsavfall (2012/19/EU) (Fig. 26).
- Pass på å overholde nasjonale regler og forskrifter for avhending av elektriske og elektroniske produkter. Riktig avfallshåndtering bidrar til å forhindre negative konsekvenser for helse og miljø.

## Feilsøking

Dette kapitlet oppsummerer de vanligste problemene som kan oppstå med apparatet. Hvis du ikke kan løse problemet ved hjelp av informasjonen nedenfor, kan du gå til [www.philips.com/support](http://www.philips.com/support) for å se en liste over vanlige spørsmål, eller du kan kontakte forbrukerstøtten i landet der du bor.

Problem	Løsning
Apparatet virker ikke.	<p>Sett støpselet inn i stikkontakten, og trykk på av/på-knappen for å slå på apparatet.</p> <p>Kontroller at spenningen som er angitt på apparatet, stemmer overens med nettspenningen.</p> <p>Fyll vannbeholderen med vann.</p> <p>Lukk lokket på kvernetrakten.</p>
Kvernen virker ikke, eller virker ikke slik den skal.	<p>Sjekk at du ikke har valgt forhåndsmalt kaffe. Hvis symbolet for forhåndsmalt kaffe vises på skjermen, har du valgt forhåndsmalt kaffe.</p> <p>Følg instruksjonene for å rengjøre kvernetrakten.</p>
Når jeg bruker kvernen, blir kaffen for svak.	<p>Pass på at antall kopper du velger, samsvarer med mengden vann i vannbeholderen. Husk at kaffetrakteren bruker alt vannet i vannbeholderen.</p> <p>Bruk styrkeknappen for å velge «sterk» kaffestyrke.</p> <p>Bruk kaffebønner fra en sterkere blanding eller smak.</p>
Når jeg bruker forhåndsmalt kaffe, blir kaffen for svak.	<p>Sørg for at mengden med forhåndsmalt kaffe i filteret samsvarer med mengden vann i vannbeholderen. Husk at apparatet bruker alt vannet i vannbeholderen.</p> <p>Bruk kvernet kaffe fra en sterkere blanding eller smak.</p> <p>For å øke styrken på kaffen kan du øke mengden forhåndsmalt kaffe eller redusere mengden vann.</p>
Filteret renner over når jeg fjerner kannen fra apparatet mens det trakter kaffe.	<p>Hvis du fjerner kannen i mer enn 20 sekunder i løpet av trakteprosessen, fører dryppstoppet til at filterkurven renner over. Vær også oppmerksom på at kaffen ikke får full smak før på slutten av trakteprosessen. Vi anbefaler derfor at du ikke fjerner kannen eller heller ut kaffe før trakteprosessen er ferdig.</p>

## 72 Norsk

Apparatet fortsetter å dryppe lenge etter at trakteprosessen er ferdig.	Dryppingen forårsakes av kondens fra dampen. Det er helt normalt at apparatet drypper en stund.
	Hvis dryppingen ikke stopper, kan det hende at dryppstoppen er blokkert. Du rengjør dryppstoppen ved å åpne filterkurvholderen og ta ut filterkurven. Skyll filterkurven og dryppstoppen under springen.
Kaffen er ikke varm nok.	Kaffen i kannen avkjøles raskere hvis du bare trakter noen få kopper. Kaffen holder seg varm lenger hvis du trakter 10 kopper, som utgjør en full kanne.
	Avkalk apparatet.
Apparatet begynner ikke å rengjøre kvernetrakten.	Kontroller at apparatet er tilkoblet.
	Åpne lokket for kvernetrakten før du trykker på og holder inne knappen for styrkevalg.
	Trykk på og hold inne knappen for styrkevalg i fire sekunder til kvernen begynner å rengjøre seg selv.
Apparatet jobber, men du hører en pipelyd.	Kontroller at lokket til kvernetrakten er ordentlig lukket.
Det virker som om kaffebønnene blir brukt opp raskt.	For å sikre perfekt trakteresultat må det fylles på en bestemt mengde kvernet kaffe. Mengden kaffebønner apparatet bruker for å få perfekt mengde kverent kaffe per kopp, er normal.



## Johdanto

Onnittelut ostoksestasi – ja tervetuloa Philips-käyttäjien joukkoon! Saat parhaan mahdollisen hyödyn Philipsin palveluista rekisteröimällä tuotteesi osoitteessa [www.philips.com/welcome](http://www.philips.com/welcome).

## Laitteen osat (kuva 1)

- 1 Suodatinkori
- 2 Tippalukko
- 3 Suodatinkorin teline
- 4 Vesimäärän ilmaisin
- 5 Vesisäiliön kansi
- 6 Kahvipapusaäiliön kansi
- 7 Kahvipapusaäiliön valitsin
- 8 Jauhatuksen säätönuppi
- 9 Vastajauhettujen papujen kaksoissäiliö
- 10 Kahvimyllykanavan kansi
- 11 Kahvimyllykanavan kannen lukko
- 12 Vedentäyttöaukko
- 13 Näyttö
- 14 Virtapainike
- 15 Valmiiksi jauhetun kahvin kuvake
- 16 Kuppien määrä
- 17 Kahvikupin kuvake
- 18 Kahvin vahvuuden kahvipapukuvake
- 19 Kahvin vahvuuden valintapainike
- 20 Ajastinpainike
- 21 Valitsin
- 22 Ajannäyttö
- 23 Ajastinkuvake
- 24 Lasikannun kansi
- 25 Lasikannu
- 26 Kahvipapukuilun puhdistusharja

## Tärkeää

### Vaara

- Älä upota laitetta veteen tai muuhun nesteeseen. Älä myöskään huuhtelee sitä vesihanalla.

### Varoitus

- Tarkista, että laitteeseen merkitty käyttöjännite vastaa paikallista verkkojännitettä, ennen kuin liität laitteen pistorasiaan.
- Älä käytä laitetta, jos pistoke, johto tai itse laite on vaurioitunut.
- Jos virtajohto on vahingoittunut, se on oman turvallisuutesi vuoksi hyvä vaihdattaa Philipsin valtuuttamassa huoltoliikkeessä tai muulla ammattitaitoisella korjaajalla.

- Liitä laite maadoitettuun pistorasiaan.
- Laitetta voivat käyttää myös yli 8-vuotiaat lapset ja henkilöt, joiden fyysinen tai henkinen toimintakyky on rajoittunut tai joilla ei ole kokemusta tai tietoa laitteen käytöstä, jos heitä on neuvottu laitteen turvallisesta käytöstä tai tarjolla on turvallisen käytön edellyttämä valvonta ja jos he ymmärtävät laitteeseen liittyvät vaarat. Yli 8-vuotiaat lapset voivat puhdistaa tai huoltaa laitetta valvonnan alaisena. Pidä laite ja sen johto alle 8-vuotiaiden lasten ulottumattomissa.
- Lasten ei pidä leikkiä laitteella.
- Käytä tätä laitetta aina vain sille määritettyyn tarkoitukseen, jotta vältetään mahdolliset vaarat ja loukkaantumiset.
- Älä jätä virtajohtoa roikkumaan sen pöydän tai työtason reunan yli, jonka päällä laite on.
- Älä koske laitteen jauhimiin, kun laite on liitetty pistorasiaan.
- Älä koske kuumiin pintoihin laitteen ollessa päällä.
- Älä tyhjennä vesisäiliötä kallistamalla laitetta, koska se voi vahingoittaa laitetta. Tyhjennä laite (katso 'Laitteen huuhtelu') sen huuhtelemista koskevien ohjeiden mukaisesti.
- Jos et voi ratkaista ongelmatilannetta tämän käyttöohjeen ohjeiden avulla, ota yhteyttä Philipsin kuluttajapalvelukeskukseen. Jos ongelmaa ei voi ratkaista, toimita laite tutkittavaksi tai korjattavaksi Philipsin valtuuttamaan huoltoliikkeeseen. Älä yritä korjata laitetta itse, sillä se aiheuttaa takuun raukeamisen.

## Varoitus

- Älä aseta laitetta kuumalle alustalle ja pidä huoli, ettei virtajohto kosketa mitään kuumaa pintaa.
- Älä sijoita kahvinkeitintä kaappiin, kun sitä ei käytetä.
- Irrota pistoke pistorasiasta ennen laitteen puhdistamista tai jos suodatuksen tai jauhamisen aikana ilmenee ongelmia.
- Suojaa pistoke ja pistorasia kosteudelta.
- Älä nosta ja siirrä laitetta käytön aikana.

- Kannu on kuuma kahvinkeiton aikana ja sen jälkeen. Pitele kannua aina kahvasta.
- Älä käytä kannua mikroaaltouunissa.
- Anna laitteen jäähtyä ennen säilytykseen asettamista. Lämpölevy ja kahvikannu saattavat olla kuumia.
- Kun olet poistanut laitteen pakkauksesta, varmista, että laite on ehjä ja kaikki osat ovat tallella. Jos et ole varma laitteen toiminnasta, älä käytä laitetta, vaan ota yhteyttä Philipsin kuluttajapalvelukeskukseen.
- Tämä laite on tarkoitettu vain tavalliseen kotitalouskäyttöön. Sitä ei ole tarkoitettu käytettäväksi myymälöiden, toimistojen, maatilojen tai muiden työympäristöjen henkilökuntaruokaloissa.

## Sähkömagneettiset kentät (EMF)

Tämä laite (Philips) vastaa kaikkia sähkömagneettisille kentille (EMF) altistumista koskevia standardeja ja säännöksiä.

## Käyttöönotto

### Kellonajan asettaminen

- 1 Työnnä pistoke pistorasiaan. Ajan ilmaisin alkaa vilkkua näytössä merkinä siitä, että sinun on asetettava kellonaika (kuva 2).
- 2 Aseta tunti kiertämällä säädintä. Tunnin ilmaisin vilkkuu (kuva 3).
- 3 Vahvista tunti painamalla säätimen keskiosaa.
- 4 Minuuttien ilmaisin alkaa vilkkua näytössä merkinä siitä, että sinun on asetettava minuutit (kuva 4).
- 5 Aseta minuutit (kuva 5) kiertämällä säädintä.
- 6 Vahvista minuutit (kuva 6) painamalla säätimen keskiosaa.
- 7 Asetettu aika näkyy näytössä. Kahvinkeitin on nyt käyttövalmis.

### Automaattisen sammutusajan asettaminen

Laitteen automaattista sammutusaikaa säätämällä voit valita, kuinka kauan haluat kahvin pysyvän kuumana sen valmistuksen jälkeen. Oletusarvoinen automaattinen sammutusaika on 30 minuuttia. Pisin mahdollinen automaattinen sammutusaika on 120 minuuttia. Voit säätää automaattista sammutusaikaa noudattamalla seuraavia ohjeita.

- 1 Varmista, että laitteen virta on katkaistu, mutta virtajohto on kytketty pistorasiaan.
- 2 Paina säätimen keskiosaa, kunnes näyttö alkaa vilkkua.
- 3 Voit pidentää tai lyhentää aikaa kiertämällä säädintä. 1 on 10 minuuttia, 2 on 20 minuuttia, 3 on 30 minuuttia ja niin edelleen, kunnes 12 on 120 minuuttia.
- 4 Vahvista automaattinen sammutusaika painamalla säätimen keskiosaa.

**Huomautus:** Laite tallentaa aina viimeisimmän asetuksen.

## Laitteen huuhtelu

Huuhtele kahvinkeitin aina ennen ensimmäistä käyttöä.

- 1 Avaa vesisäiliön kansi. Täytä vesisäiliö raikkaalla kylmällä vedellä 8 kupin rajaan (kuva 7) asti.

Huomautus: Älä lisää kahvipapuja tai esijauhettua kahvia vesisäiliöön.

- 2 Sulje vesisäiliön kansi.
- 3 Aseta kannu laitteeseen (kuva 8).
- 4 Paina virtapainiketta (kuva 9). Näytön merkkivalot syttyvät, ja laitteesta kuuluu merkkiäänä.
- 5 Paina kahvin vahvuuden valintapainiketta (kuva 10).
- 6 Valitse valmiiksi jauhetun kahvin asetus (kuva 11) kiertämällä säädintä. Valmiiksi jauhetun kahvin kuvake alkaa vilkkua.
- 7 Vahvista valinta painamalla säätimen keskiosaa.
- 8 Paina säätimen keskiosaa uudelleen. Laite aloittaa huuhtelun.
- 9 Jätä laite käyntiin, kunnes huuhtelu on loppunut. Se on loppunut, kun laite lakkaa antamasta äänimerkkejä.
- 10 Tyhjennä kannu.
- 11 Katkaise laitteesta virta painamalla virtapainiketta.

## Käyttö

### Vesisäiliön täyttäminen

Laitteen vedenpinnan tason tarkistusikkunassa on merkinnät 2–10 kupille (275 – 1 375 ml). Pystyt arvioimaan vesisäiliöön laitettavan veden määrän käyttämällä näitä merkkejä. Heijastus muuttuu vaaleasta tummaksi jokaisen lisätyn vesikupillisen kohdalla.

- 1 Avaa vesisäiliön kansi ja kaada vesisäiliöön tarvittava määrä kylmää vettä (kuva 7).

Huomautus: Täytä vesisäiliö enintään 10 kupin merkkiin asti.

Huomautus: Varmista, että vesisäiliöön kaadettavan veden määrä vastaa valmistettavien kahvikupillisten määrää. Kahvinkeitin käyttää kaiken vesisäiliössä olevan veden.

### Kahvipapujen käyttö

**Varoitus: Pidä vesisäiliön kansi suljettuna, kun täytät kahvipapusäiliön kahvipavuilla, jotta kahvipavut eivät putoa vesisäiliöön ja tuki vedentäyttöaukkoa.**

- 1 Avaa papusäiliön kansi (kuva 12).
- 2 Täytä vastajauhettujen papujen kaksoissäiliö kahvipavuilla. Voit täyttää kaksi säiliötä erityyppisillä kahvipavuilla. Varmista, että kaksoissäiliössä on tarpeeksi kahvipapuja haluamasi kahvimäärän keittämiseen (kuva 13).

Huomautus: Varmista aina, että vastajauhettujen papujen kaksoissäiliö on ainakin puolillaan.

**Varoitus: Älä käytä paahattamatonta kahvia tai sokeroituja papuja, jotta kahvimylly ei jumiudu. Käytä kahvipapuja espressopapujen sijaan, sillä espressopavut voivat vahingoittaa kahvimyllyä.**

- 3 Avaa suodatinkorin teline (kuva 14).
- 4 Aseta suodatinpaperi (1x4 tai 4) tai kestosuodatin suodatinkoriin (kuva 15).
- 5 Sulje suodatinkorin teline.

- 6** Valitse jauhatustyyppi (hienosta karkeaan) kiertämällä jauhatuksen valintasäädintä. Laitteessa on yhdeksän jauhatusasetusta (kuva 16).

Vinkki: Jauhatuksen valintasaätimellä voit valita yhdeksän eri asetusta. Kuvakkeilla on osoitettu kolme valmiiksi valittua optimaalista asetusta, mutta voit valita myös minkä tahansa asetuksen niiden väliltä. Kokeilemalla eri karkeusasetuksia saat selville, millä asetuksella saat mieleistäsi kahvia.

- 7** Valitse jompikumpi säiliö kiertämällä säiliönvalitsinta.

Huomautus: Kahvipapusaäiliötä tai kahvipapulajia vaihdettaessa keittimeen jää aina hieman edellistä kahvijauhetta, joka voi vaikuttaa kahvin makuun. Voit välttää makujen sekoittumisen puhdistamalla kahvimyllykanavan aina, kun käytät uudentyyppisiä kahvipapuja.

- 8** Paina kahvin vahvuuden painiketta (kuva 10). Kahvipapukuvakkeet alkavat vilkkua.  
**9** Valitse haluamasi kahvin vahvuus kiertämällä säädintä: 1 papu tarkoittaa mietoa kahvia, kaksi papua tarkoittaa keskivahvaa kahvia ja kolme papua tarkoittaa vahvaa kahvia.  
**10** Vahvista vahvuus (kuva 6) painamalla säätimen keskiosaa.  
**11** Valitse kupillisten määrä kiertämällä säädintä, kunnes näytössä vilkkuu haluamiesi kupillisten määrä.

Huomautus: Muista, että kahvinkeitin käyttää kaiken vesisäiliössä olevan veden. Jos valitset vähemmän kupillisia kuin vettä, kahvista tulee aiottua laihempaa.

- 12** Vahvista kupillisten (kuva 6) määrä painamalla säätimen keskiosaa.  
**13** Paina säätimen keskiosaa uudelleen. Laite antaa äänimerkin ja alkaa jauhaa tarvittavan määrän kahvipapuja. Kun kahvi on jauhettu, laite alkaa suodattaa kahvia.  
**14** Odota, kunnes kahvinkeitimestä ei enää kuulu äänimerkkejä, ennen kuin poistat kannun.

Huomautus: Suodatuksen jälkeen kahvipisarointi tippuu suodatinkorista muutamien sekuntien ajan.

- 15** Laite pitää kahvin kuumana, kunnes se sammuu automaattisesti. Jos et halua pitää kahvia kuumana, sammuta laite painamalla virtapainiketta.

## Valmiiksi jauhetun kahvin käyttö

Jos haluat käyttää valmista kahvijauhetta kahvipapujen sijasta, noudata seuraavia ohjeita.

- 1** Avaa vesisäiliön kansi ja kaada vesisäiliöön tarvittava määrä kylmää vettä (kuva 7).
- 2** Avaa suodatinkorin teline (kuva 14).
- 3** Aseta suodatinpaperi (1x4 tai 4) tai kestosuodatin suodatinkoriin.
- 4** Pane kahvijauhetta suodatinpaperiin tai kestosuodattimeen.
- 5** Sulje suodatinkorin teline.
- 6** Aseta kannu laitteeseen (kuva 8).
- 7** Paina virtapainiketta (kuva 9). Näytön merkkivalot syttyvät.
- 8** Paina kahvin vahvuuden valintapainiketta (kuva 10).
- 9** Valitse valmiiksi jauhetun kahvin asetusta (kuva 11) kiertämällä säädintä. Valmiiksi jauhetun kahvin kuvake syttyy.
- 10** Vahvista (kuva 6) valinta painamalla säätimen keskiosaa.
- 11** Käynnistä sen jälkeen suodatus (kuva 6) painamalla säätimen keskiosaa uudelleen.
- 12** Odota, kunnes kahvinkeitimestä ei enää kuulu äänimerkkejä, ennen kuin poistat kannun.

Huomautus: Suodatuksen jälkeen kahvipisarointi tippuu suodatinkorista muutamien sekuntien ajan.

- 13** Laite pitää kahvin kuumana, kunnes se sammuu automaattisesti. Jos et halua pitää kahvia kuumana, sammuta laite painamalla virtapainiketta.

## Ajastimen asettaminen

Ajastimella voit valita kellonajan, jolloin haluat kahvinsuodatuksen alkavan. Varmista, että valmiiksi jauhetusta kahvista tai kahvipavuista valmistettavan kahvin kaikki esivalmisteluvaiheet on tehty, ennen kuin asetat ajastimen.

- 1 Paina ajastinpainiketta (kuva 17). Tunnin ilmainen alkaa vilkkua näytössä merkinä siitä, että sinun on asetettava tunti.
- 2 Aseta tunti (kuva 18) kiertämällä säädintä.
- 3 Vahvista tunti painamalla säätimen keskiosaa. Minuutit alkavat vilkkua osoitukseksi siitä, että minuutit on asetettava.
- 4 Aseta minuutit (kuva 19) kiertämällä säädintä.
- 5 Vahvista minuutit ja asetettu aika (kuva 21) painamalla säätimen keskiosaa. Ajastin on nyt asetettu, ja suodatus käynnistyy ajastettuna aikana.

## Tippalukkotoiminto

Tippalukon ansiosta voit ottaa kannun kahvinkeittimestä, ennen kuin kahvi on suodatettu kokonaan. Kun poistat kannun, tippalukko estää kahvin valumisen kannuun.

Huomautus: Suodatus ei keskeydy, kun otat kannun pois. Jos et laita kannua takaisin laitteeseen 20 sekunnin kuluessa, kahvi valuu suodatinkorista yli.

## Puhdistus ja huolto

### Laitteen puhdistus jokaisen käytön jälkeen

**Älä upota laitetta veteen tai muuhun nesteeseen. Älä myöskään huuhtele sitä vesihanalla.**

- 1 Irrota pistoke pistorasiasta.
- 2 Pyyhi kahvinkeittimen ulkopuoli kostealla liinalla.
- 3 Pese suodatinkori ja keustosuoatatin kuumalla astianpesuvedellä tai astianpesukoneessa.

### Kahvimyllykanavan puhdistaminen

**Tärkeää: Puhdista kahvimyllykanava 1–2 viikon välein, jotta jauhettu kahvi ei tuki sitä. Voit tehdä tämän helposti ja nopeasti toimimalla seuraavien ohjeiden mukaan.**

Huomautus: Varmista, että kahvipapusailiö on tyhjä, ennen kuin aloitat puhdistuksen.

- 1 Katkaise laitteesta (kuva 21) virta painamalla virtapainiketta.
- 2 Avaa suodatinkorin teline (kuva 14).
- 3 Aseta suodatinpaperi (1x4 tai 4) tai keustosuoatatin suodatinkoriin (kuva 15).
- 4 Sulje suodatinkorin teline.
- 5 Avaa kahvimyllykanavan kansi (kuva 22) kahvipapukuilun puhdistusharjan päällä.
- 6 Paina kahvin vahvuuden valintapainiketta 4 sekuntia (kuva 23). Kahvimyllyn puhdistustoiminto käynnistyy.
- 7 Kun kahvimyllyn puhdistus on valmis, siirrä kahvijauheen jäämät kahvipapukuilun puhdistusharjalla kuilun (kuva 24) alaosaan. Kahvijauheen jäämät putoavat suodatinkoriin.
- 8 Sulje kahvimyllykanavan kansi.

9 Poista paperi- tai kestosuodatin, jossa on kahvijauheen jäämät.

## Kalkinpoisto kahvinkeitimestä

Poista kalkki kahvinkeitimestä, kun huomaat liiallista höyryämistä tai kun suodatusaika pitenee. Suosittelemme kalkinpoistoa kahden kuukauden välein. Käytä kalkinpoistossa vain ruokaetikkaa, sillä muut tuotteet saattavat vahingoittaa kahvinkeitintä. Lisätietoja kalkinpoistosta on osoitteessa [www.philips.com/descale-coffeemaker](http://www.philips.com/descale-coffeemaker).

**Varoitus: Älä koskaan käytä laitteen kalkinpoistoon etikkaa, jonka vahvuus on 8 % tai enemmän, luonnonetikkaa äläkä jauhe- tai tablettikalkinpoistoainetta, koska ne voivat aiheuttaa vaurioita.**

- 1 Avaa vesisäiliön kansi.
- 2 Lisää vesisäiliöön ruokaetikkaa (4 % etikkaa) 10 kupin merkkiin asti.
- 3 Aseta suodatinpaperi (1x4 tai 4) tai kestosuodatin suodatinkoriin ja sulje suodatinkorin teline.
- 4 Aseta tyhjä kannu laitteeseen.
- 5 Työnnä pistoke pistorasiaan.
- 6 Käynnistä laite (kuva 9) painamalla virtapainiketta. Näytön merkkivalot syttyvät.
- 7 Valitse valmiiksi jauhetun kahvin asetus (kuva 11) painamalla kahvin vahvuuden valintapainiketta ja kiertämällä säädintä.
- 8 Vahvista (kuva 6) valinta painamalla säätimen keskiosaa.
- 9 Käynnistä suodatus painamalla säätimen keskiosaa uudelleen.
- 10 Odota, kunnes puolet etikasta on valunut kannuun. Keskeytä sitten suodatus painamalla virtapainiketta. Anna etikan vaikuttaa vähintään 15 minuuttia.
- 11 Käynnistä kahvinkeitin uudelleen painamalla virtapainiketta.
- 12 Paina säätimen keskiosaa kaksi kertaa ja anna keittimen suodattaa (kuva 25) koko vesimäärä.
- 13 Tyhjennä kannu ja poista paperi- tai kestosuodatin, jossa on kalkin jäänteet.
- 14 Täytä vesisäiliö raikkaalla kylmällä vedellä ja aloita toinen suodatus (kuva 25) painamalla säätimen keskiosaa kaksi kertaa. Anna kahvinkeitimen käydä koko suodatuksen ajan ja tyhjennä sitten kannu.

Huomautus: Toista vaihe 14 tarvittaessa, kunnes laitteesta suodattava vesi ei enää maistu tai haise etikalle.

- 15 Puhdista suodatinkori ja kannu kuumalla vedellä ja muutamalla tipalla astianpesuainetta.
- 16 Sammuta keitin laitteen (kuva 21) etupuoella olevasta virtapainikkeesta.

## Tarvikkeiden tilaaminen

Voit ostaa tarvikkeita ja varaosia osoitteesta [www.shop.philips.com/service](http://www.shop.philips.com/service) ja Philips-jälleenmyyjiltä. Voit myös ottaa yhteyttä oman maasi Philips-asiakaspalveluun (eri maiden tukipuhelinnumerot on lueteltu takuulehtisessä).

## Takuu ja tuki

Jos haluat tukea tai lisätietoja, käy Philipsin verkkosivuilla osoitteessa [www.philips.com/support](http://www.philips.com/support) tai lue kansainvälinen takuulehtinen.

## Kierrätys

- Tämä merkki tarkoittaa sitä, että tätä tuotetta ei saa hävittää tavallisen kotitalousjätteen mukana (2012/19/EU) (kuva 26).
- Noudata oman maasi sähkö- ja elektroniikkalaitteiden kierrätystä ja hävittämistä koskevia sääntöjä. Asianmukainen hävittäminen auttaa ehkäisemään ympäristölle ja ihmisille koituvia haittavaikutuksia.

## Vianmääritys

Tähän osaan on koottu tavallisimmat laitteen käytössä ilmenevät ongelmat. Ellet löydä ongelmaasi ratkaisua seuraavista tiedoista, lue osoitteesta [www.philips.com/support](http://www.philips.com/support) vastauksia usein kysytyihin kysymyksiin tai ota yhteys maasi asiakaspalveluun.

Ongelma	Ratkaisu
Laite ei toimi.	Liitä virtapistoke pistorasiaan ja kytke laitteeseen virta painamalla virtapainiketta.
	Varmista, että laitteen jännitemerkintä vastaa paikallista verkkojännitettä.
	Täytä vesisäiliö vedellä.
	Sulje kahvimyllykanavan kansi.
Kahvimylly ei toimi tai se ei toimi kunnolla.	Varmista, että et ole valinnut esijauhettua kahvia. Jos näytössä näkyy esijauhetun kahvin symboli, olet valinnut esijauhetun kahvin.
	Puhdista kahvimyllykanava toimimalla ohjeiden mukaan.
Kun käytän kahvimyllyä, kahvi on liian mietoa.	Varmista, että valitsemiesi kupillisten määrä vastaa vesisäiliössä olevan veden määrää. Muista, että kahvinkeitin käyttää kaiken vesisäiliössä olevan veden.
	Aseta kahvin vahvuuden painikkeella kahvin vahvuudeksi vahva.
	Käytä vahvempia kahvipapuja.
Kun käytän kahvijauhetta, kahvi on liian mietoa.	Varmista, että kahvijauheen määrä suodattimessa vastaa vesisäiliössä olevan veden määrää. Muista, että laite käyttää kaiken vesisäiliössä olevan veden.
	Käytä vahvempaa kahvijauhetta.
	Lisää kahvin vahvuutta lisäämällä kahvijauheen määrää tai vähentämällä veden määrää.
Kahvi valuu suodattimesta yli, kun kannu poistetaan laitteesta suodatuksen aikana.	Jos poistat kannun keittimestä yli 20 sekunniksi suodatuksen aikana, tippalukko aiheuttaa sen, että suodatinkori täyttyy ja valuu yli. Huomioi myös, että kahvin täyteläinen maku muodostuu vasta suodatuksen loppuvaiheessa. Siksi kannua ei kannata poistaa ja kahvia kaataa kuppiin, ennen kuin suodatus on valmis.
Laitteesta tippuu kahvia pitkään suodatuksen jälkeen.	Tippuminen johtuu höyryn tiivistymisestä. On normaalia, että kahvipisaroita tippuu jonkin aikaa.



Jos tippuminen jatkuu, tippalukko voi olla tukossa. Voit puhdistaa tippalukon avaamalla suodatinkorin telineen ja poistamalla suodatinkorin. Huuhtelee suodatinkori ja tippalukko juoksevalla vedellä.

---

Kahvi ei ole tarpeeksi kuumaa.

Kahvi jäähtyy kannussa nopeammin, jos valmistat vain muutaman kupillisen kahvia. Kahvi säilyy kuumana pidempään, jos keität 10 kupillista eli täyden kannun kahvia.

---

Poista kalkki laitteesta.

---

Kahvinkeitin ei puhdistaa kahvimylykanavaa.

Varmista, että pistoke on pistorasiassa.

---

Avaa kahvimylykanavan kansi, ennen kuin painat vahvuuden valintapainiketta.

---

Paina kahvin vahvuuden valintapainiketta 4 sekunnin ajan, kunnes puhdistus alkaa.

---

Laite toimii, mutta siitä kuuluu merkkiäänä.

Tarkista, onko kahvimylykanavan kansi kunnolla kiinni.

---

Kahvipavut näyttävät kuluvan nopeasti.

Laite tarvitsee täydellisen kahvikupillisen valmistukseen tietyn määrän jauhattua kahvia. Laite käyttää normaalin määrän kahvipapuja, jotta se saa optimaalisen määrän jauhattua kahvia kupillista kohti.

---

## Introduktion

Grattis till ditt inköp och välkommen till Philips! Få ut mesta möjliga av den support Philips erbjuder genom att registrera din produkt på [www.philips.com/welcome](http://www.philips.com/welcome).

## Allmän beskrivning (bild 1)

- 1 Filterkorg
- 2 Droppstopp
- 3 Filterkorghållare
- 4 Vattennivåindikator
- 5 Lock till vattenbehållaren
- 6 Lock till behållare för kaffeböner
- 7 Bönbehållarväljare
- 8 Grovleksvred
- 9 Duobehållare för färskmalda kaffeböner
- 10 Lock till kvarntratten
- 11 Lås för locket till kvarntratten
- 12 Hål för vattenpåfyllning
- 13 Teckenfönster
- 14 På/av-knapp
- 15 Ikon för förmalet kaffe
- 16 Antal koppar
- 17 Kaffekoppsikon
- 18 Ikon för val av kaffebönstyrka
- 19 Knapp för val av styrka
- 20 Timerknapp
- 21 Kontrollvred
- 22 Tidsangivelse
- 23 Timerikon
- 24 Lock till glaskanna
- 25 Glaskanna
- 26 Rengöringsborste till rännan för kaffeböner

## Viktigt

### Fara

- Sänk aldrig ned apparaten i vatten eller någon annan vätska och skölj den inte under kranen.

### Varning

- Kontrollera att den spänning som anges på apparaten överensstämmer med den lokala nätspänningen innan du ansluter apparaten.
- Använd inte apparaten om stickkontakten, nätsladden eller själva apparaten är skadad.

- Om nätsladden är skadad måste den alltid bytas ut av Philips, något av Philips auktoriserade serviceombud eller liknande behöriga personer för att undvika olyckor.
- Anslut apparaten till ett jordat vägguttag.
- Den här apparaten kan användas av barn som är 8 år eller äldre och av personer med olika funktionshinder eller som inte har kunskap om hur apparaten används, så länge de övervakas och får instruktioner angående säker användning och förstår riskerna som medföljer. Rengöring och underhåll får inte utföras av barn om de inte är över åtta år och övervakas av en vuxen person. Se till att apparaten och dess sladd är utom räckhåll för barn under 8 år.
- Barn ska inte leka med apparaten.
- Använd endast apparaten för avsett ändamål för att undvika potentiell fara eller skada.
- Se till att nätsladden inte hänger över kanten på bordet eller arbetsbänken där apparaten står.
- Vidrör inte kaffebryggarens kvarnar, särskilt inte när den är ansluten till ett vägguttag.
- Rör inte vid apparatens varma delar när den används.
- Töm inte vattenbehållaren genom att luta apparaten, då det kan skada apparaten. Töm apparaten enligt sköljningsinstruktionerna (se 'Skölja igenom kaffebryggaren').
- Om ett problem uppstår som du inte kan lösa med hjälp av den här användarhandboken kontaktar du Philips kundtjänst i ditt land. Om problemet fortfarande inte kan lösas tar du med apparaten till ett av Philips auktoriserade serviceombud för undersökning och reparation. Försök inte reparera apparaten själv. Om du gör det upphör garantin att gälla.

### **Varning!**

- Placera inte apparaten på en varm yta, och förhindra att nätsladden kommer i kontakt med varma ytor.
- Placera inte kaffebryggaren i ett skåp när den används.

- Dra ur sladden om problem uppstår under malning eller bryggning och innan du rengör apparaten.
- Utsätt inte stickkontakten eller vägguttaget för väta.
- Lyft eller flytta inte apparaten medan den är igång.
- Kannan är het under och efter bryggning. Håll alltid i kannans handtag.
- Använd aldrig kannan i mikrovågsugnen.
- Vänta tills apparaten har svalnat innan du lägger undan den. Värmeplattan och kaffekannan kan vara varma.
- Se till att alla delar är med och att apparaten inte är skadad när du har packat upp den. Om du känner dig osäker ska du inte använda apparaten utan kontakta Philips kundtjänst i ditt land.
- Den här bryggaren är endast avsedd för normalt hushållsbruk. Den är inte avsedd för användning i miljöer som personalkök i verkstäder, på kontor eller i andra arbetsmiljöer.

## Elektromagnetiska fält (EMF)

Den här Philips-apparaten uppfyller alla tillämpliga standarder och regler gällande exponering av elektromagnetiska fält.

## Före första användningen

### Ställa klockan

- 1 Sätt in stickkontakten i vägguttaget. Tidsangivelsen i teckenfönstret börjar blinka för att visa att du måste ställa in klocktiden (Bild 2).
- 2 Vrid på kontrollvredet för att ställa in timme. Timindikeringen blinkar (Bild 3).
- 3 Tryck på mitten av kontrollvredet för att bekräfta timmen.
- 4 Minutindikeringen börjar blinka för att visa att du måste ställa in minuterna (Bild 4).
- 5 Vrid på kontrollvredet för att ställa in minuter (Bild 5).
- 6 Tryck på mitten av kontrollvredet för att bekräfta minuterna (Bild 6).
- 7 Skärmen visar tiden du har ställt in. Kaffebryggaren är nu klar att använda.

### Inställning av tid för automatisk avstängning

Du kan välja hur länge du vill att kaffet är varmt genom att ställa in hur lång tid efter bryggning som kaffebryggaren stängs av. Standardtiden för automatisk avstängning är 30 minuter. Maxtiden för automatisk avstängning är 120 minuter. Justera tiden för automatisk avstängning genom att följa stegen nedan.

- 1 Se till att apparaten är avstängd men att stickkontakten sitter i vägguttaget.
- 2 Tryck in mitten av kontrollvredet tills teckenfönstret börjar blinka.

- 3 Vrid kontrollvredet för att öka eller minska tiden. 1 är 10 minuter, 2 är 20 minuter, 3 är 30 minuter och så vidare upp till 12 som är 120 minuter.
- 4 Tryck in mitten av kontrollvredet för att bekräfta tiden för automatisk avstängning.

Obs! Apparaten sparar alltid den senaste inställningen.

## Skölja igenom kaffebryggaren

Skölj alltid igenom kaffebryggaren en gång före första användningen.

- 1 Öppna locket till vattenbehållaren. Fyll vattenbehållaren med rent kallvatten upp till 8-kopparsnivån (Bild 7).

Obs! Lägg inte i kaffeböner eller förmålet kaffe i vattenbehållaren.

- 2 Stäng locket till vattenbehållaren.
- 3 Ställ kannan i apparaten (Bild 8).
- 4 Tryck på på/av-knappen (Bild 9). Teckenfönstret tänds och apparaten piper.
- 5 Tryck på knappen för val av styrka (Bild 10).
- 6 Vrid kontrollvredet för att välja inställningen för förmålet kaffe (Bild 11). Ikonen för förmålet kaffe blinkar.
- 7 Tryck in mitten av kontrollvredet för att bekräfta.
- 8 Tryck in mitten av kontrollvredet igen. Apparaten påbörjar spolningsprocessen.
- 9 Kör apparaten tills spolningsprocessen har slutförts. Spolningen är klar när apparaten slutar pipa.
- 10 Töm kannan.
- 11 Stäng av apparaten genom att trycka på på/av-knappen.

## Använda apparaten

### Fylla på vattenbehållaren

Det finns markeringar för 2–10 koppar (275–1 375 ml) på vattennivåfönstret. Med hjälp av markeringarna kan du avgöra hur mycket vatten du ska hälla i vattenbehållaren. Avspeglingen ändras från ljus till mörk för varje kopp vatten du häller i.

- 1 Öppna locket till vattenbehållaren och fyll vattenbehållaren med den mängd kallt vatten som krävs (Bild 7).

Obs! Fyll inte vattenbehållaren över 10-koppsmarkeringen.

Obs! Kontrollera att den mängd vatten du häller i vattenbehållaren överensstämmer med antalet koppar du vill brygga. Allt vatten som finns i kaffebryggarens vattenbehållare används vid brygning.

### Med kaffeböner

**Varning! Håll alltid locket till vattenbehållaren stängt när du fyller behållaren för kaffeböner med kaffeböner. Annars kan kaffeböner ramla ner i vattenbehållaren och blockera påfyllningshålet för vatten.**

- 1 Öppna locket till behållaren för kaffeböner (Bild 12).
- 2 Fyll på duobehållaren för färskmalda böner med kaffeböner. Du kan fylla de två behållarna med två olika typer av kaffeböner. Se till att det finns tillräckligt med kaffeböner i duobehållaren för mängden kaffe du vill brygga (Bild 13).

Obs! Se till att duobehållaren för färskmalda bönor alltid är minst halvfull.

**Varning! Undvik orostade eller karamelliserade bönor, de kan medföra att kvarnen kärvar. Använd kaffebönor istället för espressobönor eftersom espressobönor kan skada kvarnen.**

- 3 Öppna filterkorghållaren (Bild 14).
- 4 Sätt i ett pappersfilter (1x4 eller nr 4) eller det permanenta filtret i filterkorgen (Bild 15).
- 5 Stäng filterkorghållaren.
- 6 Vrid på grovleksvredet för att välja önskad malningstyp (från fin till grov). Det finns nio malningsinställningar (Bild 16).

Tips! Med grovleksvredet kan du välja mellan nio olika inställningar. Ikonerna visar 3 förvalda optimala inställningar men du kan välja någon inställning mellan dem. Vi rekommenderar att du experimenterar med olika malningsinställningar för att se vilken du gillar bäst.

- 7 Vrid på behållarväljaren för att välja mellan de två behållarna.

Obs! När du växlar mellan bönbehållare eller kaffebönor finns det alltid kafferester kvar från tidigare malda kaffebönor. Rengör kvarntratten när du har bytt till en ny typ av kaffeböna för att förhindra detta.

- 8 Tryck på knappen för val av styrka (Bild 10). Kaffebönsikonerna börjar blinka.
- 9 Vrid kontrollvredet för att välja önskad kaffestyrka: 1 böna för mildt kaffe, 2 bönor för medelstarkt kaffe eller 3 bönor för starkt kaffe.
- 10 Tryck in mitten av kontrollvredet för att bekräfta styrkan (Bild 6).
- 11 Välj antal koppar genom att vrida på kontrollvredet tills önskat antal koppar blinkar i teckenfönstret.

Obs! Tänk på att allt vatten som finns i kaffebyggarens vattenbehållare används vid brygning. Om du väljer ett antal koppar som är mindre än mängden vatten blir kaffet svagare än du tänkt.

- 12 Tryck in mitten av kontrollvredet för att bekräfta antalet koppar (Bild 6).
- 13 Tryck in mitten av kontrollvredet igen. Kaffebyggaren piper och börjar mala rätt mängd kaffebönor. När malningen är slutförd börjar kaffebyggaren brygga kaffe.
- 14 Vänta tills kaffebyggaren har slutat pipa innan du tar bort kannan.

Obs! När brygningen är klar droppar det kaffe från filterkorgen i några sekunder.

- 15 Kaffebyggaren håller kaffet varmt tills den stängs av automatiskt. Om du inte behöver hålla kaffet varmt trycker du på på/av-knappen för att stänga av kaffebyggaren.

## Med förmalet kaffe

Om du vill använda förmalet kaffe i stället för kaffebönor följer du stegen nedan.

- 1 Öppna locket till vattenbehållaren och fyll vattenbehållaren med den mängd kallt vatten som krävs (Bild 7).
- 2 Öppna filterkorghållaren (Bild 14).
- 3 Sätt i ett pappersfilter (1x4 eller nr 4) eller det permanenta filtret i filterkorgen.
- 4 Fyll på med förmalet kaffe i pappersfiltret eller i det permanenta filtret.
- 5 Stäng filterkorghållaren.
- 6 Ställ kannan i apparaten (Bild 8).
- 7 Tryck på på/av-knappen (Bild 9). Teckenfönstret tänds.
- 8 Tryck på knappen för val av styrka (Bild 10).
- 9 Vrid kontrollvredet för att välja inställningen för förmalet kaffe (Bild 11). Ikonen för förmalet kaffe tänds.
- 10 Tryck in mitten av kontrollvredet för att bekräfta (Bild 6).

11 Tryck sedan in mitten av kontrollvredet igen för att påbörja bryggningen (Bild 6).

12 Vänta tills kaffebyggaren har slutat pipa innan du tar bort kannan.

Obs! När bryggningen är klar droppar det kaffe från filterkorgen i några sekunder.

13 Kaffebyggaren håller kaffet varmt tills den stängs av automatiskt. Om du inte behöver hålla kaffet varmt trycker du på på/av-knappen för att stänga av kaffebyggaren.

## Ställa in timern

Med timern kan du ställa in tiden för när bryggningen ska starta. Se till att du har utfört alla steg i kaffebyggningen för förmålet eller för kaffebönor innan du ställer in timern.

1 Tryck på timerknappen (Bild 17). Timindikatorn blinkar för att visa att du behöver ställa in timmen.

2 Vrid på knappen för att ställa in timme (Bild 18).

3 Tryck på mitten av kontrollvredet för att bekräfta timmen. Minuterna börjar blinka för att ange att du behöver ställa in minuterna.

4 Vrid på kontrollvredet för att ställa in minuter (Bild 19).

5 Tryck på mitten av kontrollvredet för att bekräfta minuterna och den inställda tiden (Bild 21). Timern är inställd och bryggningen börjar på den förinställda tiden.

## Dropstopp

Tack vare dropstoppfunktionen kan du ta bort kannan från kaffebyggaren innan bryggningen är klar. När du tar bort kannan avbryter dropstoppet flödet av kaffe in i kannan.

Obs! Bryggningen avbryts inte när du tar bort kannan. Om du inte ställer tillbaka kannan på sin plats inom 20 sekunder svämmar filterkorgen över.

# Rengöring och underhåll

## Rengöring efter varje användning

**Sänk aldrig ned apparaten i vatten eller någon annan vätska och skölj den inte under kranen.**

1 Ta ut stickkontakten ur vägguttaget.

2 Torka av kaffebyggarens utsida med en fuktig trasa.

3 Rengör filterkorgen och det permanenta filtret med varmt vatten och lite diskmedel eller diska dem i diskmaskinen.

## Rengöra kvartratten

**Viktigt! Rengör kvartratten varje eller varannan vecka för att förhindra att den täpps igen med malet kaffe. Detta gör du snabbt och enkelt genom att följa stegen nedan.**

Obs! Se till att behållaren för kaffebönor är tom innan du startar rengöringsproceduren.

1 Stäng av apparaten genom att trycka på på/av-knappen (Bild 21).

2 Öppna filterkorghållaren (Bild 14).

3 Sätt i ett pappersfilter (1x4 eller nr 4) eller det permanenta filtret i filterkorgen (Bild 15).

4 Stäng filterkorghållaren.

## 88 Svenska

- Öppna locket till kvarntratten med ena änden av rengöringsborsten till rännan för kaffebönor (Bild 22).
- Håll ned knappen för val av styrka i 4 sekunder (Bild 23). Kvarnen börjar göra rent sig själv.
- När kvarnen är färdig borstar du bort malna kafferester i den nedre delen av rännan med rengöringsborsten (Bild 24). Kafferesterna hamnar i filterkorgen.
- Stäng locket till kvarntratten.
- Ta bort pappersfiltret eller det permanenta filtret med kafferester.

## Kalka av kaffebyggaren

Kalka av kaffebyggaren om det kommer ut mycket ånga eller om bryggningen tar längre tid. Vi rekommenderar att du kalkar av byggaren varannan månad. Använd enbart ättika vid avkalkningen eftersom andra produkter kan skada kaffebyggaren. Mer information om avkalkning hittar du på [www.philips.com/descale-coffeemaker](http://www.philips.com/descale-coffeemaker).

**Varning! Använd aldrig ättika med ättiksyra på över 8 %, naturlig vinäger, avkalkningspulver eller avkalkningstabletter till att avkalka byggaren, eftersom det kan orsaka skada.**

- Öppna locket till vattenbehållaren.
  - Fyll vattenbehållaren med ättika (4 % ättiksyra) upp till 10-koppsmarkeringen.
  - Sätt i ett pappersfilter (1x4 eller nr 4) eller det permanenta filtret i filterkorgen och stäng filterkorghållaren.
  - Ställ den tomma kannan i kaffebyggaren.
  - Sätt in stickkontakten i vägguttaget.
  - Slå på apparaten genom att trycka på på/av-knappen (Bild 9). Teckenfönstret tänds.
  - Tryck på knappen för val av styrka och vrid på kontrollvredet för att välja den förvalda kaffeinställningen (Bild 11).
  - Tryck in mitten av kontrollvredet för att bekräfta (Bild 6).
  - Tryck in mitten av kontrollvredet igen för att påbörja bryggningen.
  - Vänta tills hälften av ättikan har runnit ned i kannan. Därefter avbryter du bryggningen genom att trycka på på/av-knappen. Låt ättikan verka i minst 15 minuter.
  - Tryck på på/av-knappen för att slå på kaffebyggaren igen.
  - Tryck in mitten av kontrollvredet två gånger för att låta apparaten avsluta bryggningen (Bild 25).
  - Töm kannan och ta bort pappersfiltret eller det permanenta filtret med kalkrester.
  - Fyll vattenbehållaren med rent kallvatten och tryck in mitten av kontrollvredet två gånger för att påbörja en ny bryggning (Bild 25). Låt kaffebyggaren slutföra hela bryggningen och töm kannan.
- Obs! Om det behövs kan du upprepa steg 14 tills det vatten som kommer ut ur byggaren inte längre smakar eller luktar ättika.
- Rengör filterkorgen och kannan med varmt vatten och lite diskmedel.
  - Tryck på på/av-knappen på kaffebyggarens framsida för att stänga av den (Bild 21).

## Beställa tillbehör

Du kan köpa tillbehör och reservdelar på [www.shop.philips.com/service](http://www.shop.philips.com/service) och hos din lokala Philips-återförsäljare. Du kan även kontakta Philips kundtjänst i ditt land (kontaktuppgifter hittar du i garantibroschyren).



## Garanti och support

Om du behöver information eller support kan du besöka [www.philips.com/support](http://www.philips.com/support) eller läsa den internationella garantibroschyren.

## Återvinning

- Den här symbolen betyder att produkten inte ska slängas bland hushållssoporna (2012/19/EU) (Bild 26).
- Följ ditt lands regler för återvinning av elektriska och elektroniska produkter. En korrekt hantering bidrar till att förhindra negativ påverkan på miljö och hälsa.

## Felsökning

Det här kapitlet sammanfattar de vanligaste problemen som kan uppstå med apparaten. Om du inte kan lösa problemet med hjälp av informationen nedan kan du besöka [www.philips.com/support](http://www.philips.com/support) och läsa svaren på vanliga frågor eller kontakta kundtjänsten i ditt land.

Problem	Lösning
Apparaten fungerar inte.	Sätt in stickkontakten i vägguttaget och tryck på på/av-knappen för att slå på apparaten.
	Kontrollera att den spänning som anges på apparaten överensstämmer med den lokala nätspänningen.
	Fyll vattenbehållaren med vatten.
	Stäng locket till kvarntratten.
Kvarnen fungerar inte eller fungerar inte som den ska.	Se till att du inte har valt förmalet kaffe. Om symbolen för förmalet kaffe syns i teckenfönstret har du valt förmalet kaffe.
	Rengör kvarntratten enligt instruktionerna.
När jag använder kvarnen blir kaffet för svagt.	Kontrollera att det antal koppar du väljer överensstämmer med mängden vatten i vattenbehållaren. Tänk på att allt vatten som finns i kaffebyggarens vattenbehållare används vid brygning.
	Välj starkare kaffe med knappen för val av kaffestyrka.
	Använd en starkare blandning eller kaffebönor med mer smak.
När jag använder förmalet kaffe blir kaffet för svagt.	Kontrollera att mängden förmalet kaffe i filtret överensstämmer med mängden vatten i vattenbehållaren. Tänk på att allt vatten som finns i kaffebyggarens vattenbehållare används vid brygning.
	Använd en starkare blandning eller malet kaffe med mer smak.
	Du kan öka kaffestyrkan genom att öka mängden förmalet kaffe eller minska mängden vatten.
Filtret svämmar över när jag tar bort kannan från apparaten under pågående brygning.	Om du tar bort kannan i mer än 20 sekunder under brygningen får dropstoppet filterkorgen att svämma över. Tänk även på att kaffet inte uppnår sin fullständiga smak förrän i slutet av brygningen. Vi rekommenderar därför att du inte tar bort kannan och håller upp kaffe förrän brygningen är klar.

## 90 Svenska

Apparaten fortsätter droppa långt efter att brygningen är klar.	Droppandet beror på kondenserad ånga. Det är helt normalt att apparaten droppar ett tag.
	Om det inte slutar att droppa kan droppstoppet vara igensatt. Rengör droppstoppet genom att öppna filterkorghållaren och ta ur filterkorgen. Skölj filterkorgen och droppstoppet under rinnande vatten.
Kaffet är inte tillräckligt varmt.	Kaffet i kannan svalnar fortare om du bara brygger några koppar. Kaffet håller sig varmt längre om du brygger 10 koppar, vilket motsvarar en full kann.
	Avkalka kaffebyggaren.
Apparaten börjar inte rengöra kvarntratten.	Kontrollera att apparaten är ansluten till vägguttaget.
	Öppna locket till kvarntratten innan du trycker på knappen för val av kaffestyrka.
	Håll knappen för val av kaffestyrka intryckt i 4 sekunder tills kvarnen börjar självrengöras.
Apparaten fungerar men ger ifrån sig ett pip ljud.	Vänligen kontrollera om locket till kvarntratten är ordentligt stängt.
Det verkar som om kaffebönorna går åt snabbt.	För att brygga en perfekt kopp kaffe behöver apparaten en viss mängd malet kaffe. Den mängd kaffebönor apparaten använder för att få optimal mängd malet kaffe per kopp är normal.







