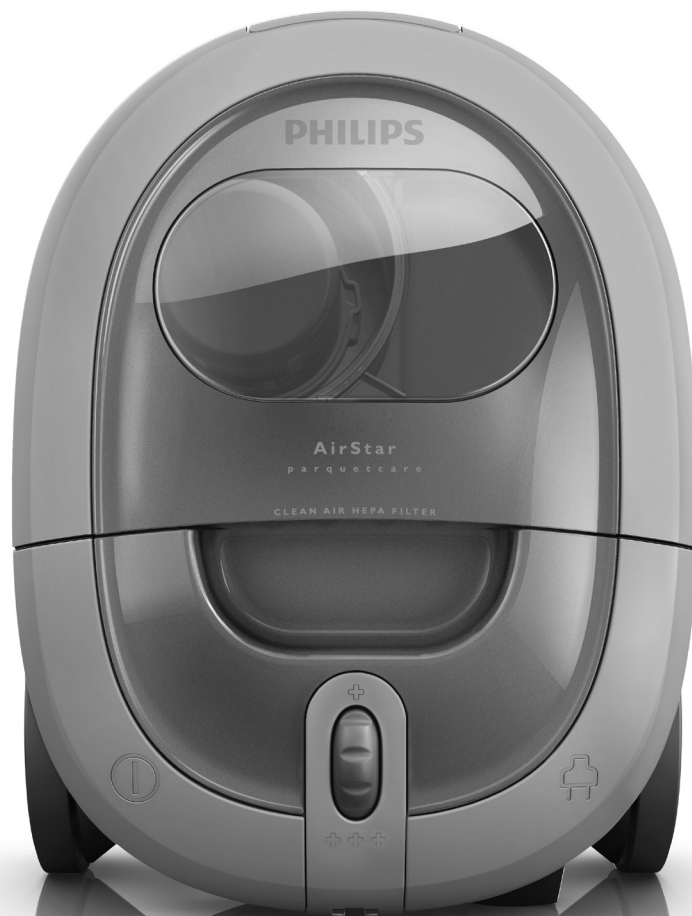
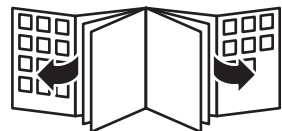
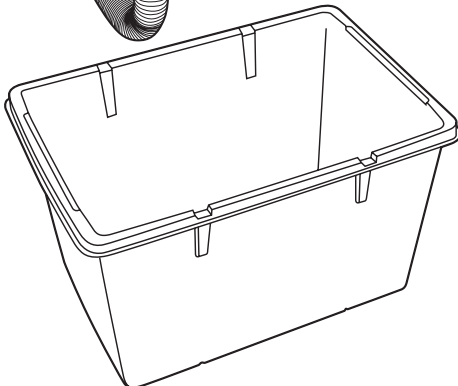
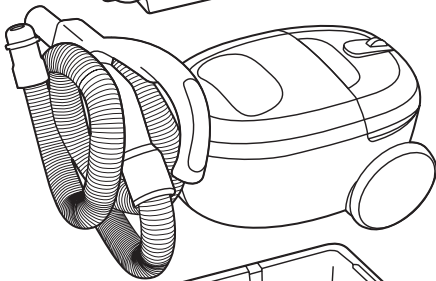
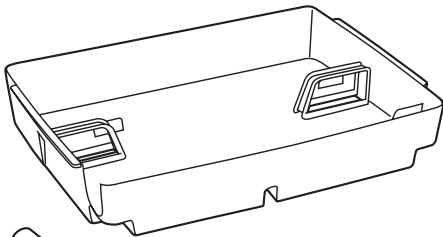
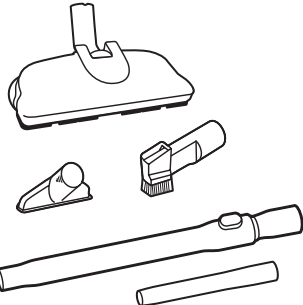
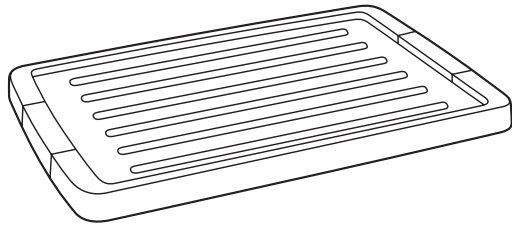


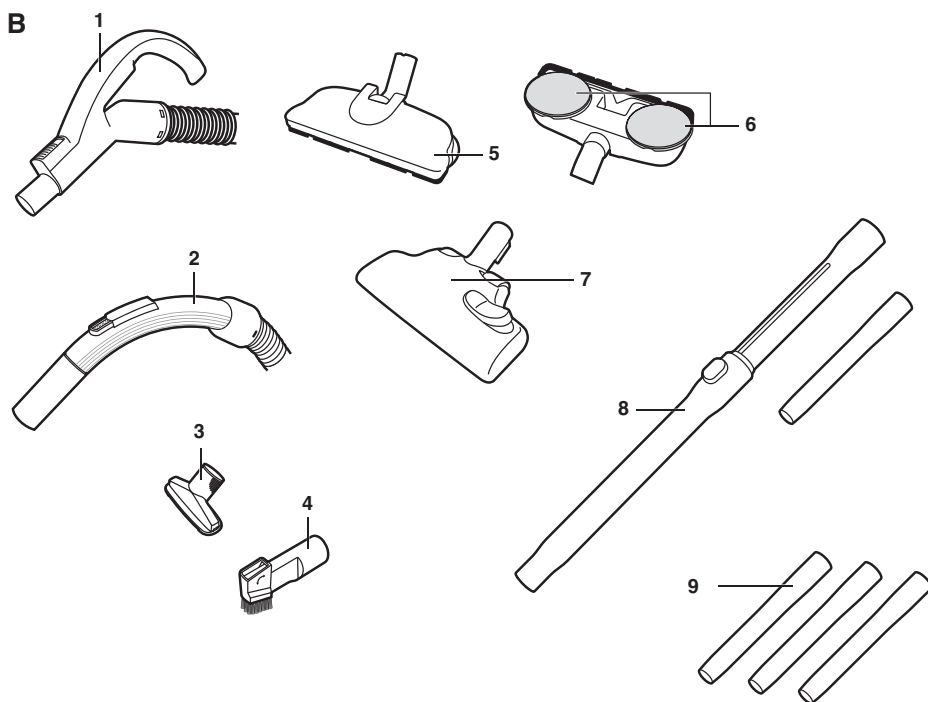
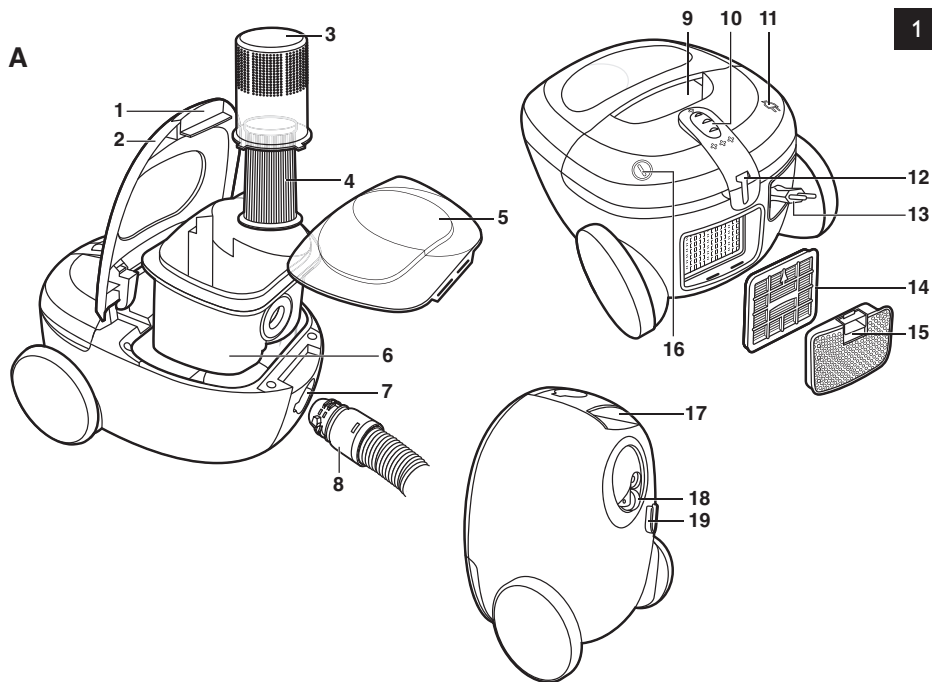
Register your product and get support at  
[www.philips.com/welcome](http://www.philips.com/welcome)

FC8276, FC8274, FC8272, FC8270



**PHILIPS**







**FC8276, FC8274, FC8272, FC8270**

**ENGLISH 6**

简体中文 12

繁體中文 19

**Introduction**

Congratulations on your purchase and welcome to Philips! To fully benefit from the support that Philips offers, register your product at [www.philips.com/welcome](http://www.philips.com/welcome).

**General description (Fig. 1)**

- A** Vacuum cleaner
- 1 Cover release tab
  - 2 Cover
  - 3 Filter cylinder case
  - 4 Filter cylinder
  - 5 Dust container lid
  - 6 Dust container
  - 7 Hose connection opening
  - 8 Hose connector
  - 9 Top handle
  - 10 Electronic suction power control (specific types only)
  - 11 Cord rewind button
  - 12 Parking slot
  - 13 Mains plug
  - 14 Clean Air HEPA outlet filter
  - 15 Filter grille
  - 16 On/off button
  - 17 Front handle
  - 18 Swivel wheel
  - 19 Storage slot
- B** Accessories
- 1 Hose with comfort handgrip and suction power slide (specific types only)
  - 2 Hose with handgrip and suction power slide (specific types only)
  - 3 Small nozzle
  - 4 Crevice/brush nozzle
  - 5 Super Parquet nozzle (specific types only)
  - 6 Polishing pads
  - 7 Combination nozzle with rocker switch
  - 8 Telescopic tube with extension tube (specific types only)
  - 9 3-piece plastic tube (specific types only)

**Important**

Read this user manual carefully before you use the appliance and save it for future reference.

**Danger**

- Never suck up water or any other liquid. Never suck up flammable substances and do not suck up ashes until they are cold.

**Warning**

- Check if the voltage indicated on the appliance corresponds to the local mains voltage before you connect the appliance.
- Do not use the appliance if the plug, the mains cord or the appliance itself is damaged.
- If the mains cord is damaged, you must have it replaced by Philips, a service centre authorised by Philips or similarly qualified persons in order to avoid a hazard.
- This appliance is not intended for use by persons (including children) with reduced physical, sensory or mental capabilities, or lack of experience and knowledge, unless they have been given

supervision or instruction concerning use of the appliance by a person responsible for their safety.

- Children should be supervised to ensure that they do not play with the appliance.
- Do not point the hose, the tube or any other accessory at the eyes or ears nor put it in your mouth when it is connected to the vacuum cleaner and the vacuum cleaner is switched on.
- The appliance does not work if the dust container is not properly placed.

### Caution

- Do not suck up large objects as this may cause the air passage in the tube or hose to become obstructed.
- When you use the appliance to vacuum ashes, fine sand, lime, cement dust and similar substances, the pores of the filter cylinder become clogged. If you notice a strong decrease in suction power, clean the filter cylinder.
- Never use the appliance without the filter cylinder. This damages the motor and shortens the life of the appliance.
- Only use the Philips filter cylinder supplied with the appliance.
- The filter cylinder is not waterproof and cannot be cleaned with water; cleaning agents or flammable substances. Follow the instructions in chapter 'Cleaning'.
- During vacuum cleaning, especially in rooms with low air humidity, your vacuum cleaner builds up static electricity. As a result you can experience electric shocks when you touch the tube or other steel parts of your vacuum cleaner. These shocks are not harmful to you and do not damage the appliance. To reduce this inconvenience we advise you:
  - 1 to discharge the appliance by frequently holding the tube against other metal objects in the room (for example the legs of a table or chair, a radiator etc.) (Fig. 2)
  - 2 to raise the air humidity level in the room by placing water in the room. For example, you can hang containers filled with water from your radiators or place bowls filled with water on or near your radiators (Fig. 3).

### Electromagnetic fields (EMF)

This Philips appliance complies with all standards regarding electromagnetic fields (EMF). If handled properly and according to the instructions in this user manual, the appliance is safe to use based on scientific evidence available today.

#### Before first use

Remove the stickers from the plastic storage container (specific types only).

#### Preparing for use

##### Hose

- 1 To connect the hose, push it into the appliance (1) and turn it clockwise (2) (Fig. 4).

*Note:* To disconnect the hose, turn it anticlockwise and pull it out of the appliance.

##### Tube

#### 3-piece plastic tube (specific types only)

- 1 To connect the tube parts to each other, insert the narrow section into the wider section and turn a little (Fig. 5).

*Note:* To disconnect the tube parts from each other, pull and turn a little.

- 2 To connect the tube to the handgrip of the hose, insert the narrow section into the wider section and turn a little (Fig. 6).

*Note:* To disconnect the tube from the handgrip, pull and turn a little.

## 8 ENGLISH

### Telescopic tube with extension tube (specific types only)

- 1 To connect the extension tube to the bottom part of the telescopic tube, insert the narrow section into wider section and turn a little.

*Note: To disconnect the tube parts from each other, pull and turn a little.*

- 2 To connect the tube to the handgrip of the hose, insert the narrow section into the wider section and turn a little (Fig. 6).

*Note: To disconnect the tube from the handgrip, pull and turn a little.*

- 3 To adjust the length of the tube to the length you find most comfortable during vacuuming, press the button on the tube (1) and pull the upper tube part upwards or push it downwards (2). (Fig. 7)

### Nozzles

---

#### Connecting nozzles to the tube

- 1 To connect a nozzle to the tube, insert the tube into the nozzle and turn a little (Fig. 8).

*Note: To disconnect a nozzle from the tube, pull and turn a little.*

#### Combination nozzle with 1 rocker switch

You can use the combination nozzle on carpet (with the brush strips folded in) or on hard floors (with the brush strips folded out).

- To clean hard floors, push the rocker switch on top of the combination nozzle with your foot to make the brush strips come out of the nozzle housing (Fig. 9).
- To clean carpet, push the rocker switch to make the brush strips disappear into the housing (Fig. 10).

#### Super Parquet nozzle (specific types only)

You can use the parquet nozzle to clean parquet and other types of hard floors. The parquet nozzle is equipped with rotating microfibre pads that gently clean and polish the floor and remove stubborn dirt. The nozzle loosens dirt and traps it inside the fibres of the pads. The pads in combination with the high suction power of this vacuum cleaner cause this nozzle to clean 3 times better than ordinary nozzles.

Never use water to clean wooden floors or parquet.

#### Small nozzle and crevice/brush nozzle

- 1 Connect the small nozzle or crevice/brush nozzle directly to the handgrip or to the tube (Fig. 11).

- 1 Small nozzle: use this nozzle to clean small areas, e.g. the seats of chairs and sofas.
- 2 Crevice/brush nozzle: use the crevice side of this nozzle to clean narrow corners or hard-to-reach places and use the brush side to clean computers, bookshelves etc.

### Using the appliance

#### Vacuum cleaning

---

- You can carry the vacuum cleaner by the handle at the front or on top of the appliance (Fig. 12).

- 1 Pull the mains cord out of the appliance and put the mains plug in the wall socket.

- 2 Press the on/off button on top of the appliance with your foot to switch on the appliance (Fig. 13).

- If you want to pause for a moment, insert the ridge on the combination nozzle into the parking slot to park the tube in a convenient position. (Fig. 14)



*Note: To ensure stable parking of the telescopic tube, adjust the tube to the shortest length.*

- 3** To switch off the appliance, press the on/off button again.

### **Adjusting suction power**

You can adjust the suction power with:

- the suction power slide on the handgrip (Fig. 15).
- the electronic suction power control on the vacuum cleaner (specific types only) (Fig. 16).

### **Cleaning**

**Always switch off and unplug the appliance before you remove and clean any parts.**

**Do not clean any part of the vacuum cleaner in the dishwasher. If necessary, clean the parts with a moist cloth.**

- 1** Clean the appliance with a damp cloth.

### **Dust container and filter cylinder**

For optimal performance, always empty the dust container after use and clean the filter cylinder regularly.

- 1** Disconnect the hose from the appliance.
- 2** Pull at the cover release tab (1) and open the cover (2) (Fig. 17).
- 3** Remove the dust container from the appliance (Fig. 18).
- 4** Remove the lid of the dust container (Fig. 19).
- 5** To remove the filter cylinder case, turn it anticlockwise (1) and lift it out of the dust container (2) (Fig. 20).
- 6** Remove the filter cylinder from the dust container (Fig. 21).
- 7** To clean the filter cylinder, tap it against the side of a dustbin (Fig. 22).
- 8** Empty the dust container into a dustbin (Fig. 23).
- 9** Put the filter cylinder back into the dust container (Fig. 24).
- 10** Put the filter cylinder case back onto the filter cylinder (1) and turn it clockwise to fix it (2) (Fig. 25).
- 11** Reattach the lid of the dust container (1) and close it ('click') (2) (Fig. 26).
- 12** Put the dust container back into the appliance (Fig. 27).
- 13** Close the cover ('click') (Fig. 28).

### **Cleaning the Super Parquet nozzle (specific types only)**

Replace the pads at least every three months.

New pads (type HR8041) are available from your local Philips dealer.

#### **Regular cleaning**

- 1** Remove the parquet nozzle from the appliance and vacuum clean the pads while they are still attached to the nozzle. Select the lowest suction power setting.

#### **Thorough cleaning**

- 1** Pull the pads off the discs (the pads are fastened to the discs by means of Velcro).
- 2** Clean the pads in warm water with some soap or in the washing machine.

## 10 ENGLISH

Wash the pads separately according to the instructions on the laundry care label.

Never use chloride or fabric softener to clean the pads.

**3** Let the pads dry properly before you use them again.

**4** Reattach the red sides of the clean pads to the discs.

*Note: The light blue sides of the pads have to be in contact with the floor, not the red sides.*

### Replacing the Clean Air HEPA outlet filter

Your vacuum cleaner is equipped with a Clean Air HEPA outlet filter (service code 4222 459 48841).

Replace the Clean Air HEPA outlet filter every 12 months.

**1** Switch off and unplug the appliance.

**2** Pull at the grip on the filter grille (1) and remove it from the appliance (2) (Fig. 29).

**3** Remove the Clean Air HEPA outlet filter. (Fig. 30)

**4** Insert a new Clean Air HEPA outlet filter into the appliance. (Fig. 31)

**5** Reattach the filter grille to the appliance ('click') (Fig. 32).

### Storage (Fig. 33)

**1** Switch off the appliance and remove the mains plug from the wall socket.

**2** Press the cord rewind button to rewind the mains cord.

**3** You can store the appliance in the following ways:

- Put the appliance in upright position. To attach the nozzle to the appliance, insert the ridge on the nozzle into the storage slot. (Fig. 34)

*Note: To ensure stable parking of the telescopic tube, adjust the tube to the shortest length.*

- Store the appliance and its accessories in the box or plastic storage container (specific types only). To find out how to do this, look at the storage figure at the beginning of this user manual.

### Accessories

If you have any difficulties obtaining filters or other accessories for this appliance, please contact the Philips Consumer Care Centre in your country or consult the worldwide guarantee leaflet.

- Clean Air HEPA outlet filters are available under type number service code 4222 459 48841.
- Filter cylinders are available under type number FC8028.
- Super Parquet nozzle pads are available under type number HR8041.

### Environment

- Do not throw away the appliance with the normal household waste at the end of its life, but hand it in at an official collection point for recycling. By doing this, you help to preserve the environment (Fig. 35).

### Guarantee and service

If you need service or information or if you have a problem, please visit the Philips website at [www.philips.com](http://www.philips.com) or contact the Philips Consumer Care Centre in your country (you find its phone number in the worldwide guarantee leaflet). If there is no Consumer Care Centre in your country, go to your local Philips dealer.

The storage box is not covered by the terms of the international guarantee.

## Troubleshooting

This chapter summarises the most common problems you could encounter with the appliance. If you are unable to solve the problem with the information below, contact the Consumer Care Centre in your country.

Problem	Possible cause	Solution
The suction power is insufficient.	The dust container is full.	Empty the dust container.
	The filter cylinder is dirty.	Clean the filter cylinder (see chapter 'Cleaning').
	The Clean Air HEPA outlet filter is dirty.	Replace the Clean Air HEPA outlet filter (see chapter 'Replacing the Clean Air HEPA outlet filter').
	The suction power slide on the handgrip is open.	Close the suction power slide.
	Specific types only: the electronic suction power control is set to a low setting.	Set the electronic suction power control to a higher setting.
The nozzle, tube or hose may be blocked.	Disconnect the blocked-up item and connect it (as far as possible) the other way around. Switch on the vacuum cleaner to force the air through the blocked-up item in opposite direction.	

## 产品简介

感谢您的惠顾，欢迎光临飞利浦！为了您能充分享受飞利浦提供的支持服务，请登陆 [www.philips.com/welcome](http://www.philips.com/welcome) 网站注册您的产品。

### 一般说明 (图 1)

- A** 真空吸尘器
- 1 集尘桶盖打开钮
  - 2 上盖
  - 3 滤芯罩
  - 4 滤芯
  - 5 集尘盒盖
  - 6 集尘桶
  - 7 软管连接孔
  - 8 软管接口
  - 9 顶部把手
  - 10 通过电子吸力控制旋钮即可调整吸力（仅限于特定型号）
  - 11 电源线自动回卷按钮
  - 12 摆放固定槽
  - 13 电源插头
  - 14 超洁空气 HEPA 排气过滤网
  - 15 滤网栅格
  - 16 开/关按钮
  - 17 前握把
  - 18 滚轮
  - 19 插槽
- B** 附件
- 1 带舒适握把和吸力控制滑块的软管（仅限于特定型号）
  - 2 带握把和吸力控制滑块的软管（仅限于特定型号）
  - 3 小号吸嘴
  - 4 缝隙/毛刷吸嘴
  - 5 洁旋风吸嘴（仅限于特定型号）
  - 6 纤维软垫
  - 7 带转换开关的组合吸嘴
  - 8 带加长管的伸缩管（仅限于特定型号）
  - 9 3 节塑料管（仅限于特定型号）

### 注意事项

使用产品之前，请仔细阅读本使用说明书，并妥善保管以备日后参考。

#### 危险

- 切勿吸入水或其它液体。切勿吸入易燃物质，也不要吸入未冷却的灰烬。

#### 警告

- 在将产品连接电源之前，请先检查产品所标电压与当地的供电电压是否相符。
- 如果插头、电源线或产品本身受损，请勿使用本产品。

- 如果电源软线损坏，为了避免危险，必须由制造商、其维修部或类似部门的专业人员来更换。
- 本产品不打算由肢体不健全、感觉或精神上有障碍或缺乏相关经验和知识的人（包括儿童）使用，除非有负责他们安全的人对他们使用本产品进行监督或指导。
- 应照看好儿童，确保他们不玩耍该产品。
- 当连接到真空吸尘器并且真空吸尘器已开始工作时，请勿将软管、硬管或任何其它附件指向眼睛或耳朵，也不要放在口中。
- 如果集尘盒没有正确放置，则产品将无法运行。

### 注意

- 切勿吸取体积较大的脏物，否则可能阻塞硬管或软管中的空气通道。
- 在使用本品吸收灰尘、细沙、石灰、水泥灰和类似的物质时，滤芯孔将被堵塞。如果您注意到吸力显著下降，则可以清洁滤芯。
- 切勿在没有滤芯的情况下使用本产品。这会损坏马达并缩短产品的使用寿命。
- 只能使用本产品随附的飞利浦滤芯。
- 滤芯没有防水功能，不能用水、清洁剂或易燃物质进行清洗。请按照“清洁”一章中的说明执行操作。
- 进行真空吸尘时，尤其是在空气湿度较低的房间中吸尘时，吸尘器会积聚静电。因而当您触摸硬管或吸尘器的其它部件时，可能会感受到轻微电击。这种电击对人体无害，也不会损坏产品。但为了尽量减少这种不便，建议您：
  - 1 经常握住硬管使其与房间中的其它金属物体接触（例如，桌椅脚或电炉等）；（图 2）
  - 2 在房间中放水，增加空气湿度。例如，可将装有水的容器挂在电炉上，或将装有水的碗放在电炉上或附近。（图 3）

### 电磁场 (EMF)

这款飞利浦产品符合关于电磁场 (EMF) 的相关标准。据目前的科学证明，如果正确使用并按照本用户手册中的说明进行操作，本产品是安全的。

### 初次使用之前

撕掉塑料存放箱上的不干胶标签（仅限于特定型号）。

### 使用准备

#### 软管

- 1 要将软管连接，将软管推入吸尘器 (1) 并以顺时针方向旋转即可 (2)。（图 4）

注意：要将软管从吸尘器上拆下，请将管端逆时针方向转动，并拉出软管。

## 14 简体中文

### 硬管

#### 3 节塑料管（仅限于特定型号）

**1** 要将硬管的两端相互连接，请将窄的部分插入宽的部分，同时稍加旋转。（图 5）

注意：要断开硬管两端，请向外拉并且稍微转一下。

**2** 要将硬管与软管的握把连接起来，应将窄的部分插入宽的部分并且稍微转一下。（图 6）

注意：要从握把取下硬管，请在拉动硬管的同时稍作旋转。

#### 带加长管的伸缩管（仅限于特定型号）

**1** 要将加长管与伸缩管的底部连接起来，请将窄的部分插入宽的部分并且稍微转一下。

注意：要断开硬管两端，请向外拉并且稍微转一下。

**2** 要将硬管与软管的握把连接起来，应将窄的部分插入宽的部分并且稍微转一下。（图 6）

注意：要从握把取下硬管，请在拉动硬管的同时稍作旋转。

**3** 要将硬管的长度调整为您在吸尘时感觉最为舒适的长度，请按下硬管上的按钮 (1)，然后向下拉或向上推硬管上半部分 (2)。（图 7）

### 吸嘴

#### 将吸嘴连接到硬管

**1** 要将吸嘴连接到硬管，请将硬管插到吸嘴并稍微转一下。（图 8）

注意：要从硬管取下吸嘴，请向外拉并稍微转一下。

#### 带 1 个转换开关的组合吸嘴

您可以在地毯（刷条内翻）或硬地板（刷条外翻）上使用组合吸嘴。

- 要清洁硬地板，请用脚推动组合吸嘴上的刷毛转换块，让刷条从吸嘴外壳中伸出来。（图 9）

- 要清洁地毯，请按动转换块，使刷条缩入吸嘴中。（图 10）

#### 洁旋风吸嘴（仅限于特定型号）

您可以使用洁旋风吸嘴清洁地板及其他类型的硬地板。洁旋风吸嘴配备旋转微细纤维软垫，能一边轻柔地清洁和磨光地板，一边清除顽固污渍。吸管能使污渍松动并吸附到软垫的纤维内。软垫与吸尘器强大吸力的结合，令此吸嘴产生比普通吸嘴强 3 倍的清洁效能。

**切勿用水清洁木地板或镶木地板。**

#### 小号吸嘴和缝隙/毛刷吸嘴

**1** 将小号吸嘴或缝隙/毛刷吸嘴直接连接到握把或吸管上。（图 11）

1 小号吸嘴：使用小号吸嘴清洁较小的区域，例如椅子和沙发的座位。

2 缝隙/毛刷吸嘴：使用此吸嘴的缝隙一侧清洁狭窄的角落或难以触及的地方；使用毛刷一侧清洁电脑、书架等等。

### 使用本产品

#### 使用吸尘器

- 您可以手握前方或顶部的把手提起吸尘器。（图 12）

**1** 将电源线从吸尘器中拉出，并将电源插头插入插座。

**2** 用脚按下产品上的开/关按钮，打开电源。（图 13）

- 如要暂停使用吸尘器，可通过将组合吸嘴上的夹片插入摆放固定槽以将硬管放妥。（图 14）

注意：要确保稳固摆放伸缩管，请将伸缩管调至最短。

- 3 再次按下开关，可将产品断电。

### 调节吸力大小

您可以使用下列部件调节吸力：

- 握把上的吸力滑块。（图 15）
- 吸尘器上的电子吸力控制旋钮（仅限于特定型号）。（图 16）

## 清洁

在取出和清洁任何部件之前，应始终关闭产品并断开电源。

请勿将吸尘器的任何部件放入洗碗机中清洗。如有必要，可用湿布清洁部件。

- 1 用湿布擦拭本产品。

### 集尘盒和滤芯

要获得最佳性能，应始终在使用后清空集尘盒以及定期清洁滤芯。

- 1 从产品中拔出软管。
- 2 拉起集尘桶盖打开钮 (1)，打开桶盖 (2)。（图 17）
- 3 从吸尘器上卸下集尘盒。（图 18）
- 4 取下集尘盒的盒盖。（图 19）
- 5 要取下滤芯罩，请逆时针旋转 (1) 并将滤芯罩从集尘盒 (2) 取出。（图 20）
- 6 从集尘盒中取出滤芯。（图 21）
- 7 要清洁滤芯，可以将滤芯在垃圾箱的一侧轻敲。（图 22）
- 8 将集尘桶内的脏物倒入垃圾箱中。（图 23）
- 9 将滤芯放回集尘盒中。（图 24）
- 10 将滤芯罩重新放到滤芯上 (1) 并且顺时针转动以固定 (2)。（图 25）
- 11 重新安放集尘盒盖 (1) 并将其锁闭（听到咔哒声）(2)。（图 26）
- 12 把集尘桶放回吸尘器内。（图 27）
- 13 将集尘桶盖关闭（“咔哒”一声）。（图 28）

### 清洁洁旋风吸嘴（仅限于特定型号）

至少每三个月更换一次软垫。

可以从本地飞利浦零售商购买软垫（型号 HR8041）进行更换。

### 定期清洁

- 1 将洁旋风吸嘴从产品上取下，使软垫仍然留在吸嘴上，调节吸尘器至最低吸力，然后吸走软垫上的灰尘。

### 彻底清洁

- 1 将软垫从圆盘上拉下（软垫是用维可牢尼龙搭扣固定在圆盘上的）。

## 16 简体中文

**2** 用少许温和的肥皂水或在洗碗机中清洁软垫。  
**根据洗熨注意标签上的指示清洗软垫。**

**切勿用氯化物或纤维柔软剂清洁软垫。**

**3** 再次使用之前，请先待软垫完全干燥。

**4** 将清洁完毕的软垫的红色一侧固定到圆盘上。

注意：软垫的淡蓝色一侧是必须接触地板的，而不是红色一侧。

### 更换超洁空气 HEPA 排气过滤网

本吸尘器配备超洁空气 HEPA 排气过滤网（服务代码 4222 459 48841）。  
每隔 12 个月更换一次超洁空气 HEPA 排气过滤网。

**1** 关闭产品电源并拔出电源插头。

**2** 拉动滤网栅格上的把手 (1) 并将其从产品上取下 (2)。(图 29)

**3** 卸下超洁空气 HEPA 排气过滤网。(图 30)

**4** 将新的超洁空气 HEPA 排气过滤网插入产品。(图 31)

**5** 将滤网栅格重新装回产品（可听到“咔哒”一声）。(图 32)

### 存储 (图 33)

**1** 关闭吸尘器的电源，从插座中拔下电源插头。

**2** 按下电源线回卷按钮将电线回卷到吸尘器中。

**3** 您也可以通过以下方法存放产品：

- 竖立放置产品。要将吸嘴安装到产品上，请将吸嘴上的夹片插入存放槽中。(图 34)

注意：要确保稳固摆放伸缩管，请将伸缩管调至最短。

- 将产品及其附件放到包装盒或塑料存放箱（仅限于特定型号）。要了解如何存放，请参阅本用户手册开头部分的存放图。

### 附件

如果您购买本产品的滤网或其他附件有困难，请与您所在国家/地区的飞利浦客户服务中心联系，或参阅全球保修卡。

- 超洁空气 HEPA 排气过滤网的供应型号服务代码为 4222 459 48841。

- 滤芯的供应型号为 FC8028。

- 洁旋风吸嘴软垫的供应型号为 HR8041。

### 环境

- 弃置产品时，请不要将其与一般生活垃圾堆放在一起；应将其交给官方指定的回收中心。这样做有利于环保。(图 35)

### 保修和服务

如果您需要服务或信息，或者有任何疑问，请访问飞利浦网站：[www.philips.com](http://www.philips.com)。您也可与您所在地的飞利浦客户服务中心联系（可从全球保修卡中找到其电话号码）。如果您的所在地没有飞利浦顾客服务中心，则可以与当地的飞利浦经销商联系。

储藏箱不包括在国际保修条款中。



## 故障种类和处理方法

本章归纳了使用本产品时最可能遇到的问题。如果您无法根据下面的信息解决问题，请与贵国（地区）的飞利浦客户服务中心联系。

问题	可能的原因	解决方法
吸力不足。	集尘桶已满。	清空集尘桶。
	滤芯变脏。	清洁滤芯（见“清洁”一章）。
	超洁空气 HEPA 排气过滤网变脏。	更换超洁空气 HEPA 排气过滤网（请参阅“更换超洁空气 HEPA 排气过滤网”一章）。
	握把上的吸力滑块已打开。	关闭吸力控制滑块。
	仅限于特定型号：可能是吸力调控钮被设置在较低的档位。	将吸力调控钮设置在更高的档位。
	吸嘴、硬管或软管可能阻塞。	将被阻塞的部分拆下，并将它以相反方向连接（尽可能离的远一些）。打开吸尘器的电源，强迫气流从相反方向通过被阻塞的部分。

**PHILIPS**

产品 : 飞利浦家用  
真空卧式吸尘器

型号 : FC8274

额定电压 : 220V~

额定频率 : 50Hz

额定输入功率: 1400 W

生产日期 : 请见产品底部

产地 : 中国

珠海经济特区飞利浦家庭电器有限公司  
中国珠海市三灶镇琴石工业区  
邮政编码: 519040  
全国顾客服务热线: 4008 800 008

本产品根据国标 GB4706.1-2005, GB4706.7-2004, GB4343.1-2009及GB17625.1-2003制造

**PHILIPS**

产品 : 飞利浦家用  
真空卧式吸尘器

型号 : FC8270

额定电压 : 220V~

额定频率 : 50Hz

额定输入功率: 1200 W

生产日期 : 请见产品底部

产地 : 中国

珠海经济特区飞利浦家庭电器有限公司  
中国珠海市三灶镇琴石工业区  
邮政编码: 519040  
全国顾客服务热线: 4008 800 008

本产品根据国标 GB4706.1-2005, GB4706.7-2004, GB4343.1-2009及GB17625.1-2003制造

**PHILIPS**

产品 : 飞利浦家用  
真空卧式吸尘器

型号 : FC8276

额定电压 : 220V~

额定频率 : 50Hz

额定输入功率: 1400 W

生产日期 : 请见产品底部

产地 : 中国

珠海经济特区飞利浦家庭电器有限公司  
中国珠海市三灶镇琴石工业区  
邮政编码: 519040  
全国顾客服务热线: 4008 800 008

本产品根据国标 GB4706.1-2005, GB4706.7-2004, GB4343.1-2009及GB17625.1-2003制造

**PHILIPS**

产品 : 飞利浦家用  
真空卧式吸尘器

型号 : FC8272

额定电压 : 220V~

额定频率 : 50Hz

额定输入功率: 1200 W

生产日期 : 请见产品底部

产地 : 中国

珠海经济特区飞利浦家庭电器有限公司  
中国珠海市三灶镇琴石工业区  
邮政编码: 519040  
全国顾客服务热线: 4008 800 008

本产品根据国标 GB4706.1-2005, GB4706.7-2004, GB4343.1-2009及GB17625.1-2003制造

请妥善保管本使用说明书  
发行日期 : 2010/07/07

## 簡介

恭喜您購買本產品並歡迎加入飛利浦！請於 [www.philips.com/welcome](http://www.philips.com/welcome) 註冊您的產品，以善用飛利浦提供的支援。

## 一般說明 (圖 1)

- A** 吸塵器
- 1 護蓋釋放拉片
  - 2 蓋子
  - 3 濾網桶盒
  - 4 濾網筒
  - 5 集塵桶蓋
  - 6 集塵盒
  - 7 軟管接口開口
  - 8 軟管接口
  - 9 上握把
  - 10 電子吸力控制裝置 (僅限於特定機型)
  - 11 收線鈕
  - 12 安置槽
  - 13 電源線插頭
  - 14 清淨空氣 HEPA 排氣濾網
  - 15 濾網柵口
  - 16 開/關按鈕
  - 17 前端握柄
  - 18 轉輪
  - 19 收藏槽
- B** 配件
- 1 附舒適握把和吸力調節撥鈕的軟管 (限特定機型)
  - 2 附握把和吸力調節撥鈕的軟管 (限特定機型)
  - 3 小型吸頭
  - 4 縫隙/清潔刷吸頭
  - 5 硬地板專用吸頭 (限特定機型)
  - 6 拋光墊
  - 7 附翹板開關的多用吸頭
  - 8 含延伸軟管的伸縮管 (限特定機型)
  - 9 3 件式塑膠吸塵管 (限特定機型)

## 重要事項

在使用本產品前，請先仔細閱讀本使用手冊，並保留說明以供日後參考。

### 危險

- 請勿用來吸水或任何其它液體。請勿吸取易燃性物質，且請勿吸取未完全冷卻的灰燼。

### 警示

- 在您連接電源之前，請檢查本地的電源電壓是否與產品所標示的電源電壓相符。
- 當插頭、電線或產品本身受損時，請勿使用產品。
- 如果電線損壞，則必須交由飛利浦、飛利浦授權之服務中心，或是具備相同資格的技术師更換，以免發生危險。
- 本產品不適合供下列人士 (包括小孩) 使用：身體官能或心智能力退化者，或是經驗與使用知識缺乏者。他們需要有負責其安全的人員在旁監督，或指示空氣清淨機的使用方法，方可使用。
- 請勿讓孩童將產品當成玩具。

## 20 繁體中文

- 若已連接至吸塵器且吸塵器電源為開啟時，請勿將軟管、吸塵管或其他配件指向眼睛或耳朵，也請勿將其放入口中。
- 如果未妥善安裝集塵桶，則吸塵器將無法運作。

### 警告

- 吸除大型物體可能會造成吸塵管或軟管內的通風阻塞。
- 當您以吸塵器清除灰燼、細沙、石灰、水泥粉塵及類似物質時，濾網桶上的細孔可能會被堵住。如果發現吸力異常減弱，請清潔濾網桶。
- 請勿在未安裝濾網桶的狀態下使用吸塵器，否則可能會損壞馬達並縮短產品壽命。
- 請只使用本產品隨附的飛利浦濾網桶。
- 濾網筒不防水，不可使用清水、清潔劑或易燃物質清潔。請遵循「清潔」章節中的指示操作。
- 進行吸塵時，尤其是在空氣濕度低的房間中，吸塵器會產生靜電。因此您可能在接觸吸塵管或吸塵器其他不鏽鋼零件時感到輕微觸電。此現象並不會對您及產品造成傷害。若要避免此情形發生，建議您：
  - 1 以吸塵管碰觸房間中的其他金屬物體 (如桌椅的腳、暖氣等)，為吸塵器放電 (圖 2)
  - 2 在房間中放水，增加房內濕度。舉例來說，您可以懸掛裝滿暖氣水的容器或在暖氣附近放置水碗。(圖 3)

### 電磁場 (EMF)

本飛利浦產品符合電磁場 (electromagnetic fields, EMF) 所有相關標準。若正確處理及依照本使用手冊之說明進行操作，根據現有之科學文獻來看，使用本產品並無安全顧慮。

### 第一次使用前

請撕除塑膠收納容器上的貼紙 (限特定機型)。

### 使用前準備

#### 軟管

- 1 連接軟管時，請將它插入吸塵器中 (1) 並依順時針方向轉動 (2)。(圖 4)

注意：若要拆下軟管，請先依逆時針方向轉動，然後再將它從吸塵器上拔出。

#### 軟管

##### 3 件式塑膠吸塵管 (限特定機型)

- 1 將吸塵管較窄的一端插入較寬的一端彼此相接，連接時稍微轉動。(圖 5)

注意：要拆下吸塵管零件，請稍微拉出並轉動吸塵管。

- 2 將吸塵管較窄的一端插入較寬的一端，以連接吸塵管到軟管的握把上，連接時稍微轉動。(圖 6)

注意：若要從握把上拆下吸塵管，請稍微拉出並轉動吸塵管。

##### 含延伸軟管的伸縮管 (限特定機型)

- 1 若要将延伸軟管插入伸縮管的底部，請將窄的一端插入較寬的一端，連接時稍微轉動。

注意：要拆下吸塵管零件，請稍微拉出並轉動吸塵管。

- 2 將吸塵管較窄的一端插入較寬的一端，以連接吸塵管到軟管的握把上，連接時稍微轉動。(圖 6)

注意：若要從握把上拆下吸塵管，請稍微拉出並轉動吸塵管。

- 3** 若要將吸塵管的長度調整為使用吸塵器時最適宜的長度，請按下吸塵管上的按鈕 (1)，並將吸塵管上端向上拉，或是向下推 (2)。(圖 7)

## 吸頭

### 將吸頭接到吸塵管

- 1** 若要將吸頭接到吸塵管，請將吸塵管插入吸頭，連接時稍微轉動。(圖 8)

注意：若要將吸頭從吸塵管取下，請稍微轉動並拉開。

### 附 1 個翹板開關的多用吸頭

兩用吸頭適用於清潔地毯 (將毛刷條收起) 或硬質地板 (將毛刷條翻出)：

- 若要清理硬質地板，請以腳推壓兩用吸頭上的翹板開關，使毛刷條從吸頭殼體內伸出。(圖 9)
- 若要清潔地毯，請按下翹板開關，使毛刷條縮回到吸頭殼體內。(圖 10)

### 硬地板專用吸頭 (限特定機型)

您可以使用硬地板專用吸頭來清潔各式硬地板。硬地板吸頭配備旋轉微纖維布墊，可溫和清潔並擦亮地板，清除頑強污垢。吸頭可吸入灰塵並使灰塵附著於纖維上。在這款布墊與吸塵器的超強吸力結合之下，吸頭的清潔效果是一般吸頭的 3 倍以上。

切勿使用清水來清潔木頭或硬地板。

### 小吸頭、縫隙/清潔刷吸頭

- 1** 直接將小吸頭或縫隙/清潔刷吸頭連接至握把或吸塵管。(圖 11)
- 1 小吸頭：可以用來進行小面積的清潔，例如椅墊及沙發等區域。
  - 2 縫隙/清潔刷吸頭：使用吸頭的縫隙面可用來清潔狹窄的角落或難以深入的區域，並可使用清潔刷面來清潔電腦，書架等。

## 使用此電器

### 使用吸塵器清潔

- 您可以握住吸塵器前端或頂部的握把部份來提起吸塵器。(圖 12)

- 1** 請將電線自產品拉出，將電源插頭接上電源插座。
- 2** 用腳按下吸塵器頂部的開/關 (on/off) 按鈕，以開啟產品電源。(圖 13)
- 若您想要暫停片刻，請將兩用吸頭上的突出物插入安置槽，將吸塵管固定在便於使用的位置。(圖 14)

注意：要確實收妥伸縮軟管，請先將吸塵管長度調至最短。

- 3** 若要關閉本產品電源，請再按一下 On/Off (開/關) 按鈕。

### 調整吸力

您可以利用下列方式來調整吸力：

- 握把上的吸力調節撥鈕。(圖 15)
- 吸塵器上的電子吸力控制裝置 (僅限於特定機型)。(圖 16)

## 清潔

在取出並清潔任何零件之前，請務必先關閉電源並拔除吸塵器插頭。

請勿使用洗碗機來清洗任何吸塵器零件。若要清洗，請僅以濕布清潔即可。

- 1** 用微濕的布清潔本產品。

### 集塵桶和濾網筒

為保持最佳效能，每次使用吸塵器之後，請務必清空集塵桶，並且要定期清潔濾網筒。

## 22 繁體中文

- 1 將軟管從吸塵器上拆下。
  - 2 拉動護蓋釋放拉片 (1) 並打開護蓋 (2)。(圖 17)
  - 3 取出吸塵器的集塵桶。(圖 18)
  - 4 打開集塵桶的蓋子。(圖 19)
  - 5 若要取出濾網筒盒，請先以逆時針方向轉動 (1)，然後再將筒盒從集塵桶上拉出 (2)。(圖 20)
  - 6 從集塵桶拆下濾網筒。(圖 21)
  - 7 若要清潔濾網筒，請在垃圾桶上輕拍濾網筒。(圖 22)
  - 8 將集塵盒裡的東西全部倒進垃圾桶。(圖 23)
  - 9 將濾網筒放回集塵桶。(圖 24)
  - 10 將濾網筒放回濾網筒盒 (1) 並以順時針方向轉動直到固定 (2)。(圖 25)
  - 11 重新蓋上集塵桶的蓋子 (1) 並關上 (會聽見「喀嗒」一聲) (2)。(圖 26)
  - 12 將集塵盒放回吸塵器內。(圖 27)
  - 13 關閉蓋子 (會聽見「喀嗒」一聲)。(圖 28)
- 清潔硬地板專用吸頭 (限特定機型)

至少每三個月更換一次布墊。

您可以向您當地的飛利浦經銷商購買新的布墊 (型號 HR8041)。

### 定期清潔

- 1 將硬地板專用吸頭從本產品拆下，用吸塵器清潔這些仍裝在吸頭上的布墊。選擇最低吸力設定。

### 徹底清潔

- 1 將布墊從吸盤拆下 (軟墊是透過魔鬼粘固定至吸盤上)。
- 2 以溫肥皂水或利用洗衣機來清洗布墊。

請依照洗濯指示標籤上的說明，分開清潔布墊。

請勿使用含氯成份或布料柔軟劑來清潔布墊。

- 3 將布墊晾乾，然後再繼續使用。
- 4 將乾淨布墊的紅色面固定至吸盤。

注意：必須以布墊的淡藍色面來接觸地板，而非紅色面。

### 更換清淨空氣 HEPA 排氣濾網

您的吸塵器配備清淨空氣 HEPA 排氣濾網 (服務代碼 4222 459 48841)。  
清淨空氣 HEPA 排氣濾網應每 12 個月更換一次。

- 1 關閉產品電源並拔掉插頭。
- 2 拉動濾網柵口上的提把 (1)，從本產品取下 (2)。(圖 29)
- 3 拆下清淨空氣 HEPA 排氣濾網。(圖 30)
- 4 將全新的清淨空氣 HEPA 排氣濾網插入產品中。(圖 31)
- 5 將濾網柵口重新裝到本產品上 (會聽見「喀嗒」一聲)。(圖 32)

### 收納 (圖 33)

- 1 請關閉吸塵器開關，並將插頭從牆上插座拔下。
- 2 按下收線鈕，將電源線收回。
- 3 您可以依下列方式來收納本產品：
  - 將產品直立起來，讓吸頭連接至產品上，並將吸頭上的突出物插入收納槽。(圖 34)

注意：要確實收妥伸縮軟管，請先將吸塵管長度調至最短。

- 將產品和配件收納至箱子或塑膠儲藏容器內 (限特定機型)。若要瞭解如何執行，請參閱本使用手冊開頭的收納圖。

### 配件

如果您無法取得產品濾網或其他配件，請洽當地飛利浦客戶服務中心或參閱全球保證書。

- 清淨空氣 HEPA 排氣濾網的型號服務代碼為 4222 459 48841。
- 濾網筒的型號為 FC8028。
- 硬地板專用吸頭布墊的型號為 HR8041。

### 環境保護

- 電器壽命結束時請勿與一般家庭廢棄物一併丟棄。請將該產品放置於政府指定的回收站，此舉能為環保盡一份心力。(圖 35)

### 保證書與服務

如需相關服務或資訊，或是有任何問題，請瀏覽飛利浦網站，網址為 [www.philips.com](http://www.philips.com)，或聯絡當地的飛利浦客戶服務中心 (電話號碼可參閱全球保證書)。若您當地沒有客戶服務中心，請洽詢當地的飛利浦經銷商。  
此收納盒不在全球保固範圍內。

### 故障排除

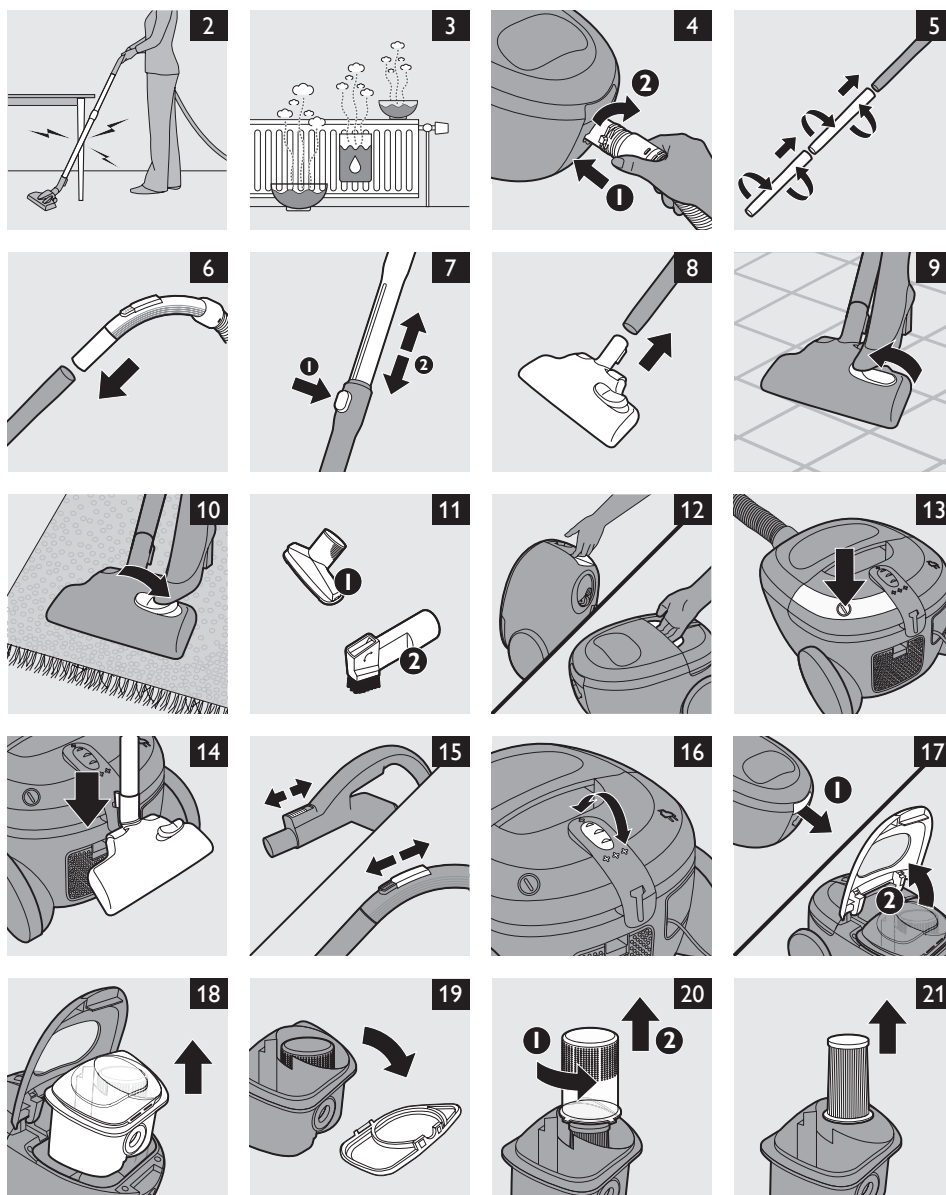
本單元概述您使用本產品時最常遇到的問題。如果您無法利用以下資訊解決您遇到的問題，請聯絡您所在國家/地區的顧客服務中心。

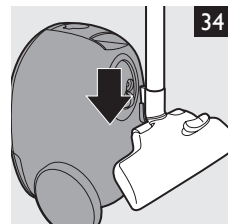
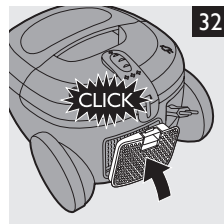
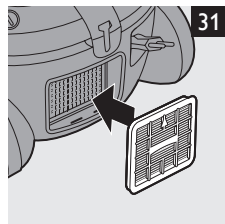
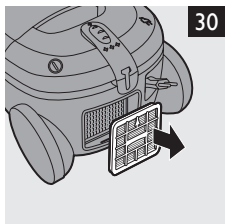
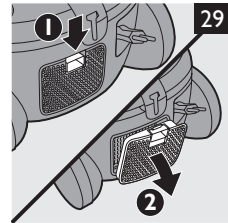
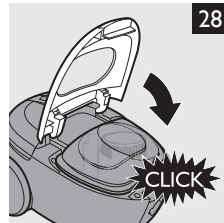
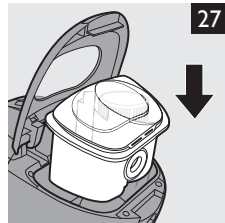
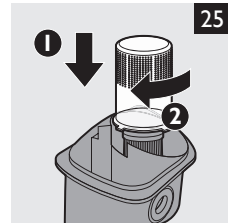
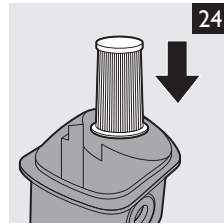
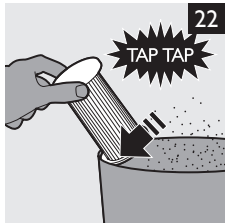
問題	可能原因	解決方法
吸力不足。	集塵盒已滿。	清空集塵盒。
	濾網筒太髒。	清潔濾網筒 (請參閱「清潔」單元)。
握把上的吸力調節撥鈕為開啟狀態。	清淨空氣 HEPA 排氣濾網太髒。	請更換清淨空氣 HEPA 排氣濾網 (請參閱「更換清淨空氣 HEPA 排氣濾網」單元)。
	限特定機型：電子吸力控制鈕可能設為低吸力設定。	關閉吸力調節撥鈕。 請將電子吸力控制鈕設為高吸力設定。
	吸頭、吸塵管或軟管可能已經阻塞。	請拆下阻塞的部分，並盡可能以相反的方向連接吸塵器。開啟吸塵器，使空氣以相反方向強制通過阻塞的部分。














[www.philips.com](http://www.philips.com)

 100% recycled paper  
100% papier recyclé  
100% 循环再造纸  
4222.003.3542.1