

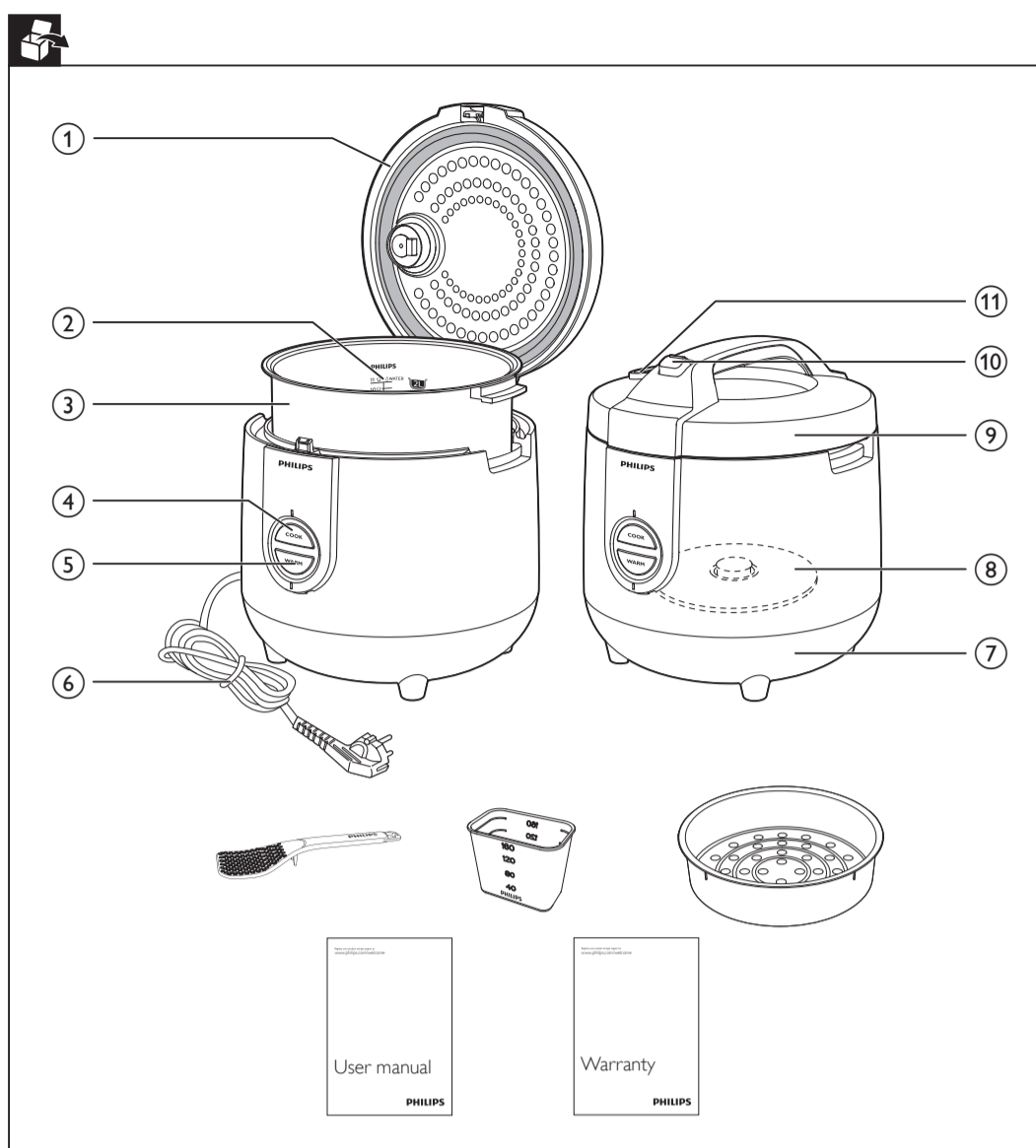
PHILIPS

HD3119



EN User manual

TH คู่มือผู้ใช้



- Do not place the cooking utensils inside the pot while cooking, keeping warm or reheating rice.
- Only use the cooking utensils provided. Avoid using sharp utensils.
- To avoid scratches, it is not recommended to cook ingredients with crustaceans and shellfish. Remove the hard shells before cooking.
- Do not insert metallic objects or alien substances into the steam vent.
- Do not place a magnetic substance on the lid. Do not use the appliance near a magnetic substance.
- Always let the appliance cool down before you clean or move it.
- Always clean the appliance after use. Do not clean the appliance in a dishwasher.
- Always unplug the appliance if not used for a longer period.
- If the appliance is used improperly or for professional or semiprofessional purposes, or if it is not used according to the instructions in this user manual, the guarantee becomes invalid and Philips refuses liability for any damage caused.

©2018 Koninklijke Philips N.V.
All rights reserved.
HD3119_35_UM_TH_V1.0



English

1 Your rice cooker

Congratulations on your purchase, and welcome to Philips!
To fully benefit from the support that Philips offers, register your product at www.philips.com/welcome.

2 Important

Read this important information leaflet carefully before you use the rice cooker and save it for future reference.

Danger

- The appliance must not be immersed.

Warning

- This appliance is not intended for use by persons (including children) with reduced physical sensory or mental capabilities, or lack of experience and knowledge, unless they have been given supervision or instruction concerning use of the appliance by a person responsible for their safety.
- Children should be supervised to ensure that they do not play with the appliance.

- This appliance should be positioned in a stable situation with the handles (if any) positioned to avoid spillage of the hot liquids.
- This appliance is intended to be used in household and similar applications such as:
 - staff kitchen areas in shops, offices and other working environments;
 - farm houses;
 - by clients in hotels, motels and other residential type environments;
 - bed and breakfast type environments.
- Make sure that the damaged power cord is replaced by Philips, a service center authorized by Philips or similarly qualified persons in order to avoid a hazard.
- The appliance is not intended to be operated by means of an external timer or a separate remote-control system.

- CAUTION: Surface of the heating element is subject to residual heat after use.
- WARNING: Make sure to avoid spillage on the power connector to avoid a potential hazard.
- WARNING: Always follow the instructions and use the appliance properly to avoid potential injury.
- Check if the voltage indicated on the appliance corresponds to the local power voltage before you connect it.
- Only connect the appliance to a grounded power outlet. Always make sure that the plug is inserted firmly into the power outlet.
- Do not use the appliance if the plug, the power cord, the inner pot, the sealing ring, or the main body is damaged.
- Do not let the power cord hang over the edge of the table or worktop on which the appliance stands.

- Make sure the heating element, the temperature sensor, and the outside of the inner pot are clean and dry before you put the plug in the power outlet.
- Do not plug in the appliance or press any of the buttons on the control panel with wet hands.

Caution

- Never use any accessories or parts from other manufacturers or that Philips does not specifically recommend. If you use such accessories or parts, your guarantee becomes invalid.
- Do not expose the appliance to high temperatures, nor place it on a working or still hot stove or cooker.
- Do not expose the appliance to direct sunlight.
- Place the appliance on a stable, horizontal, and level surface.

- Always put the inner pot in the appliance before you put the plug in the power outlet and switch it on.
- Do not place the inner pot directly over an open fire to cook rice.
- Do not use the inner pot if it is deformed.
- The accessible surfaces may become hot when the appliance is operating. Take extra caution when touching the appliance.
- Beware of hot steam coming out of the steam vent during cooking or out of the appliance when you open the lid. Keep hands and face away from the appliance to avoid the steam.
- Do not lift and move the appliance while it is operating.
- Do not exceed the maximum water level indicated in the inner pot to prevent overflow which might cause potential hazard.

Electromagnetic fields (EMF)

This Philips appliance complies with all applicable standards and regulations regarding exposure to electromagnetic fields.

3 What's in the box

Rice cooker main unit	Rice scoop
Measuring cup	Steam basket
User manual	Warranty card

Overview

① Sealing ring	⑦ Main body
② Water level indications	⑧ Heating element
③ Inner pot	⑨ Lid
④ Cook button	⑩ Lid release button
⑤ Keep-warm button	⑪ Detachable steam vent cap
⑥ Power cord	

4 Using the rice cooker

Before first use

- 1 Take out all the accessories from the inner pot. Remove the packaging material of the inner pot.
- 2 Clean the parts of the rice cooker thoroughly before using the rice cooker for the first time (see chapter 'Cleaning').

Note

- Make sure all parts are completely dry before you start using the rice cooker.

