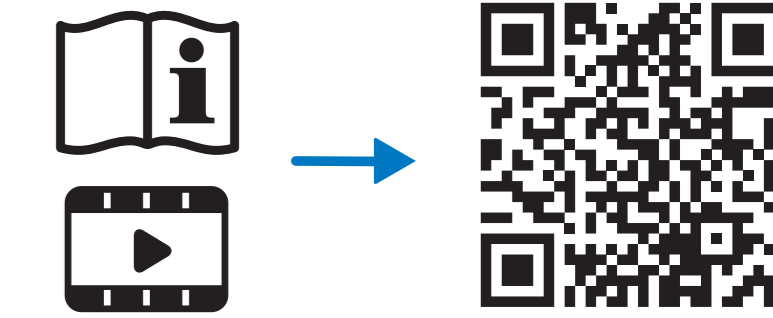
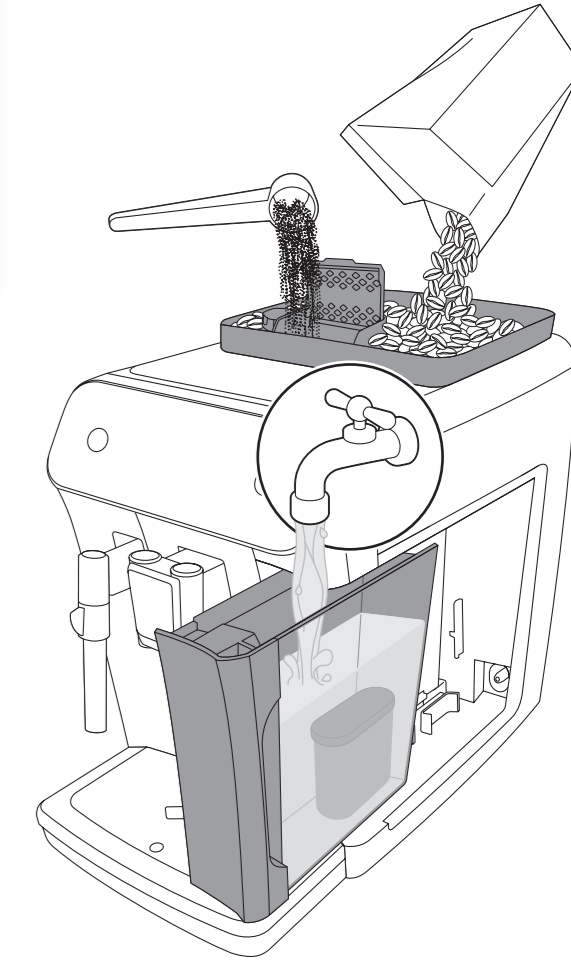




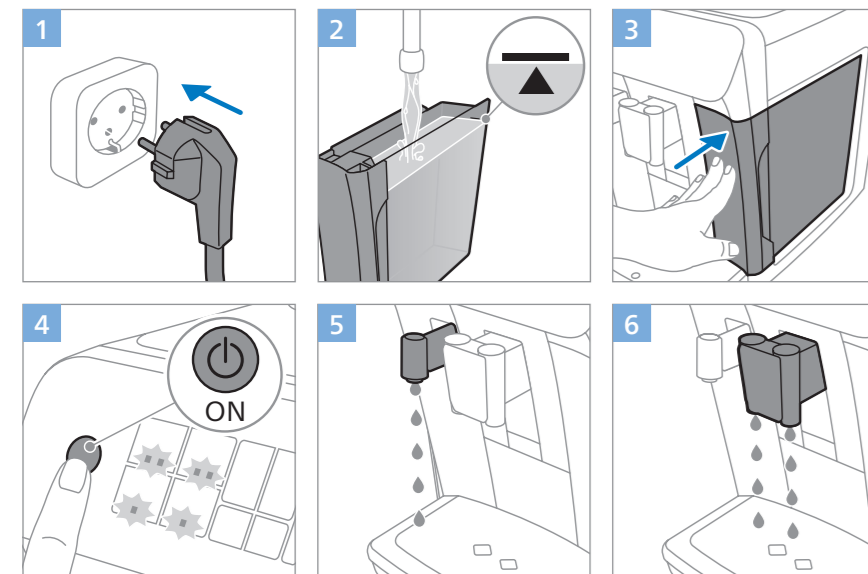
			= OK

The diagram illustrates the internal components of the coffee machine, including the water inlet, boiler, and coffee group. It shows the removal of the water filter and the coffee group assembly. Cleaning tools such as a soft brush, a long-handled brush, and a cleaning spray bottle are shown. A QR code is provided for more information, with the URL www.philips.com/coffee-care. Below the diagram, there are two panels: one showing the correct use of cleaning tools (a soft brush) and another showing the incorrect use (a metal tool that could damage the machine's internal parts).

PHILIPS
Fully automatic
espresso machine
800 series



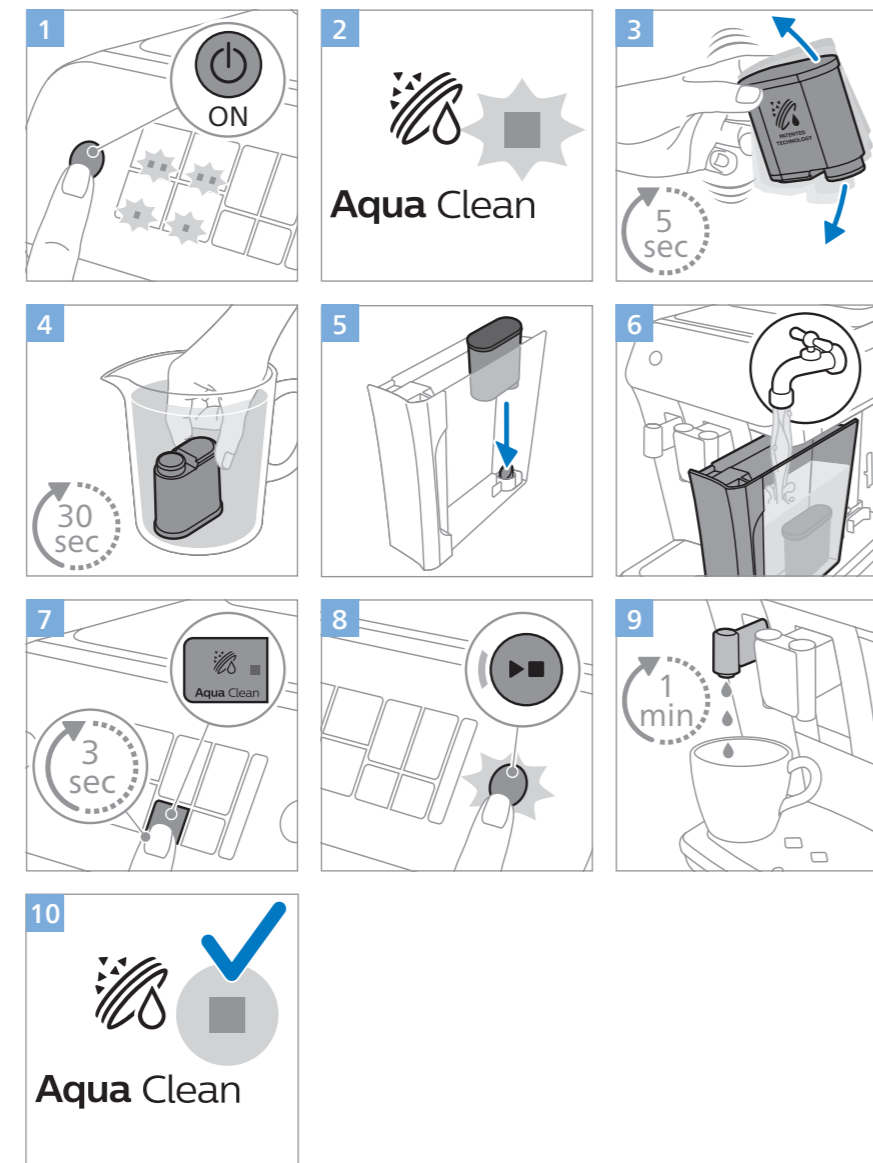
1



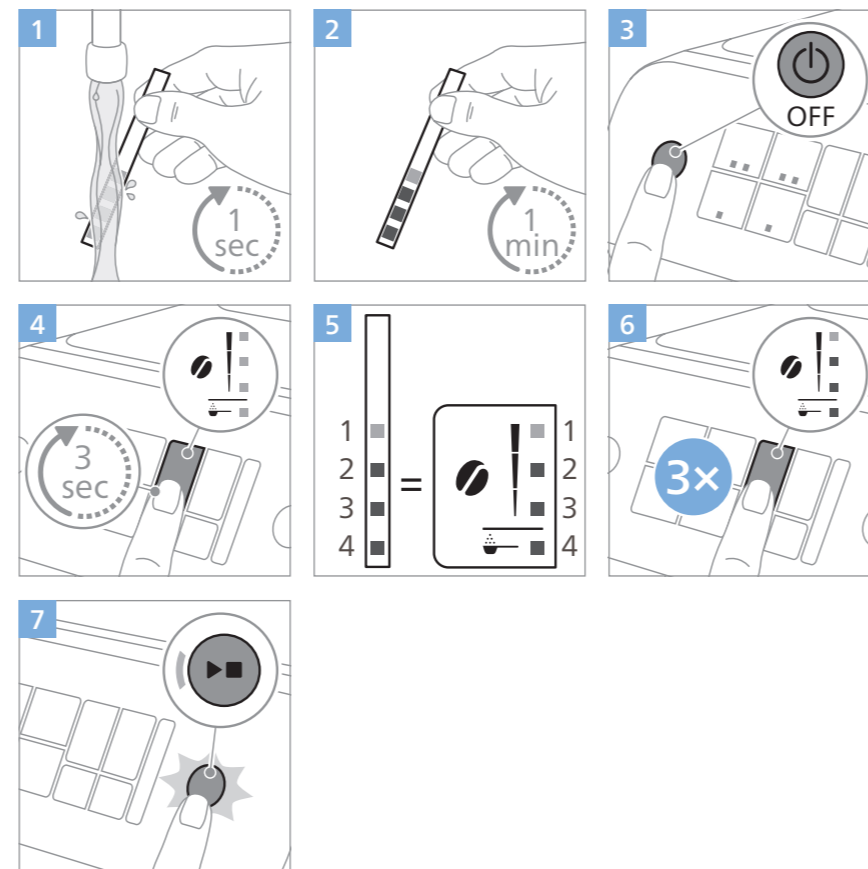
2



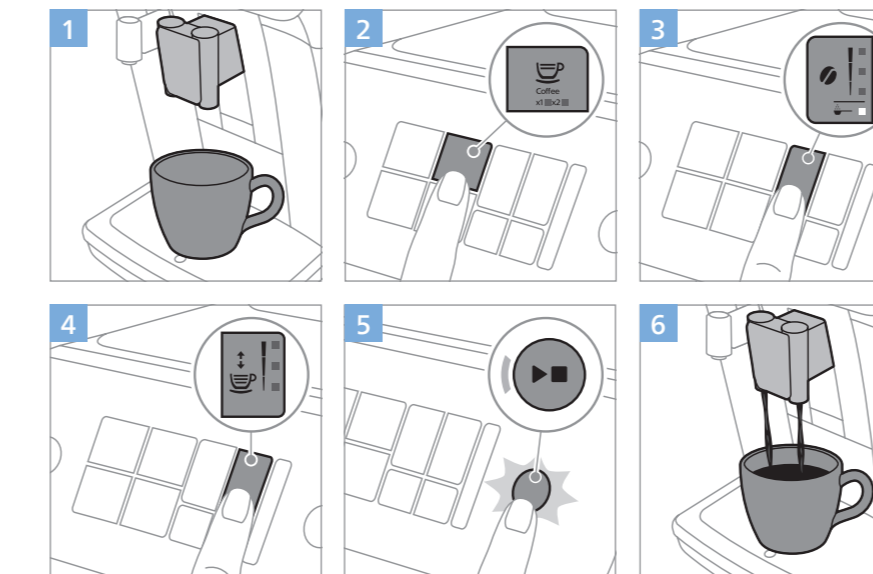
AQUACLEAN (5 min.)



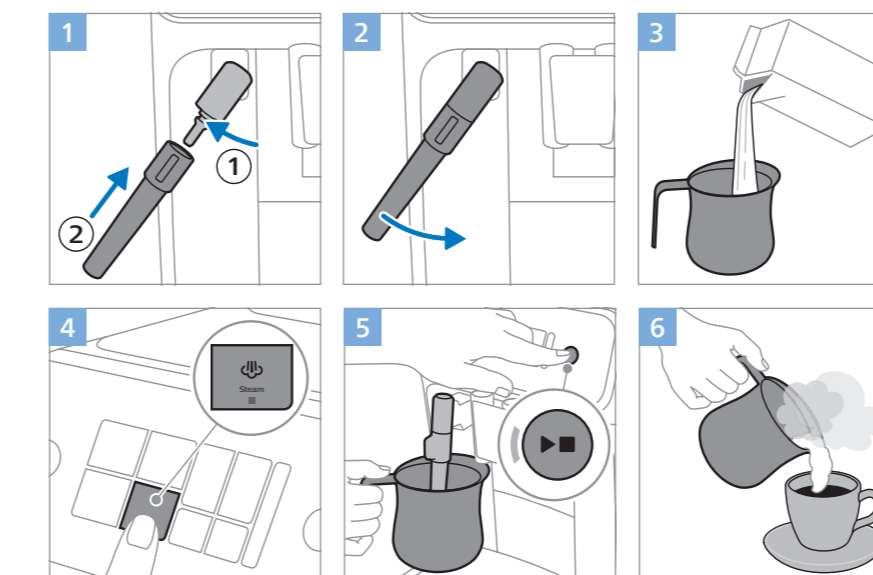
3



COFFEE



CAPPUCCINO



DECALC (30 min.)

